

Service Technical Information

MODEL NO. XR-MD90 EZ
SUBJECT Noise at tuner function

REF.No. :G - 99 - 055 - E0

DATE :08. NOV . 1999

<CONTENTS>

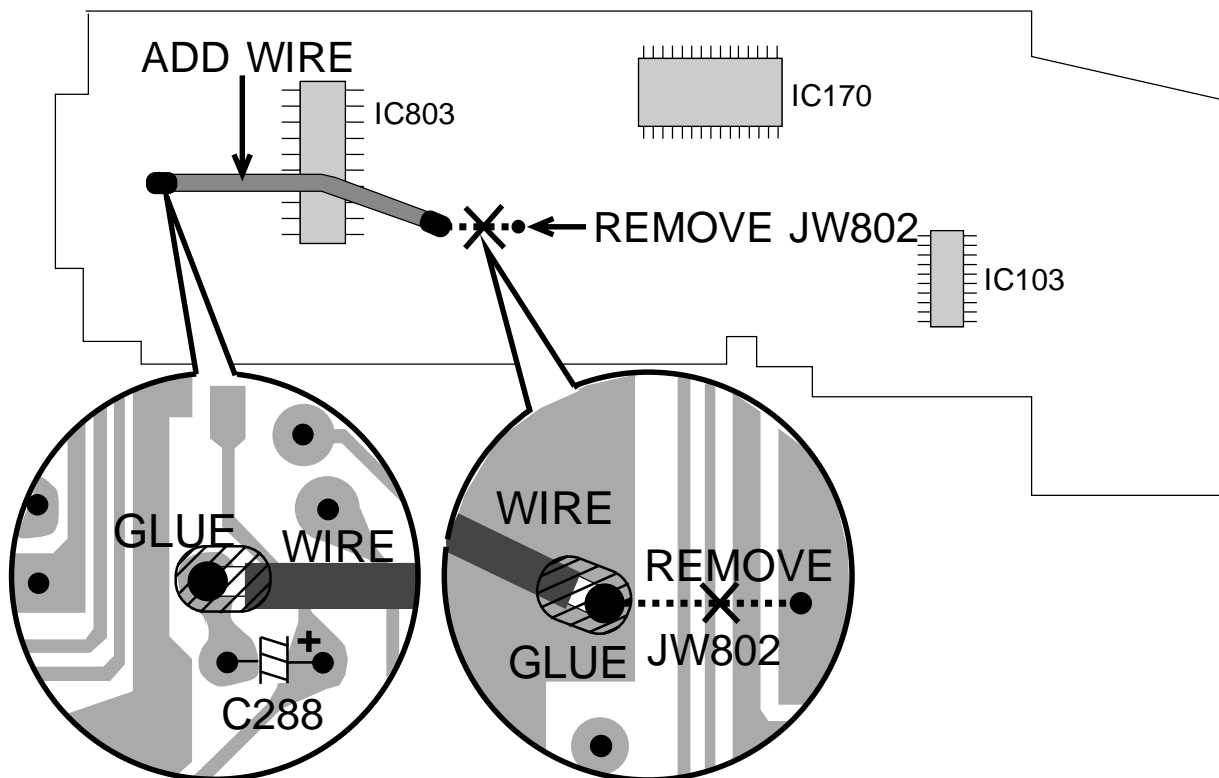
A high-frequency noise is heard with a volume at "0" position in the tuner function mode.
Take the following actions if the problem occurs.

<COUNTERMEASURE>

Take the following actions:

1. Remove CABI, TOP AMP in the amplifier block.
2. Remove the JW802 tuner C.B..
3. Solder the wire onto a JW802 pin (one connected to pin 5 of IC803).
4. Solder the other side wire onto a digital ground (minus pin of C288).
5. Lock the both end of the wire with glue.

TUNER C.B PATTERN SIDE



Ref.	Parts Code	Description	Remarks
-	89-920-040-110	WIRE,UD0-4-3	-

G	R	Code No.	Access Code	Modified Ser. No.	Parts Schedule
-	-	-	-	-	13.JAN.2000