

MDS-S39

SERVICE MANUAL

*US Model
Canadian Model
AEP Model
UK Model
E Model
Tourist Model*

Model MDS-S39 is almost same as MDS-S38.
As only the difference from MDS-S38 is described in this manual,
please refer to MDS-S38 service manual (9-960-934-111) for the in-
formation not contained in this manual.

MINIDISC DECK

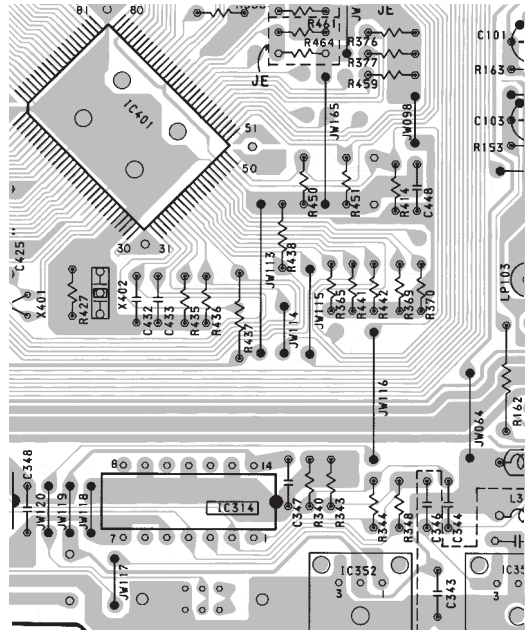
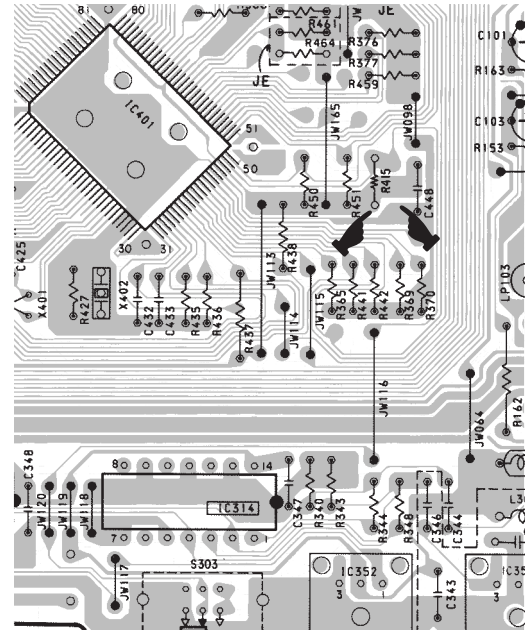
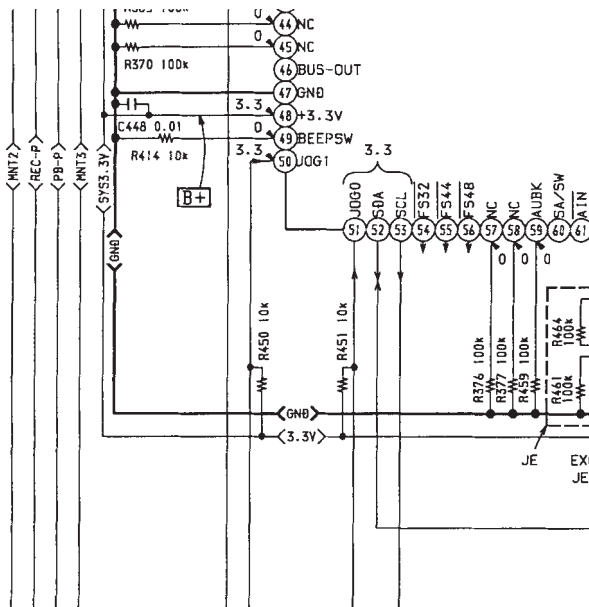
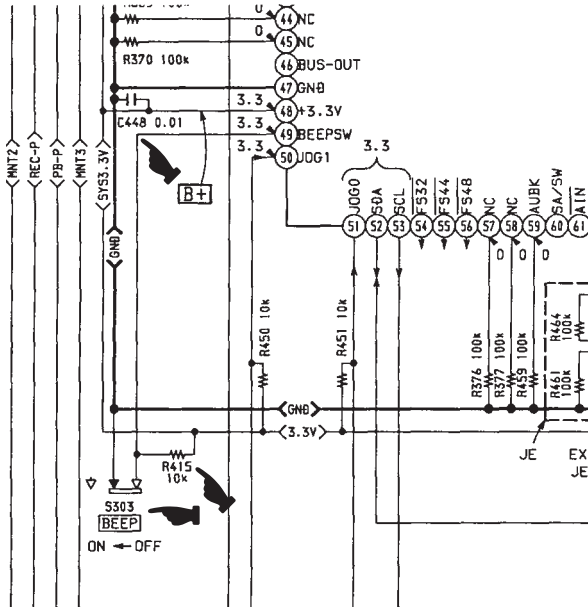


SONY®

1. DIAGRAMS

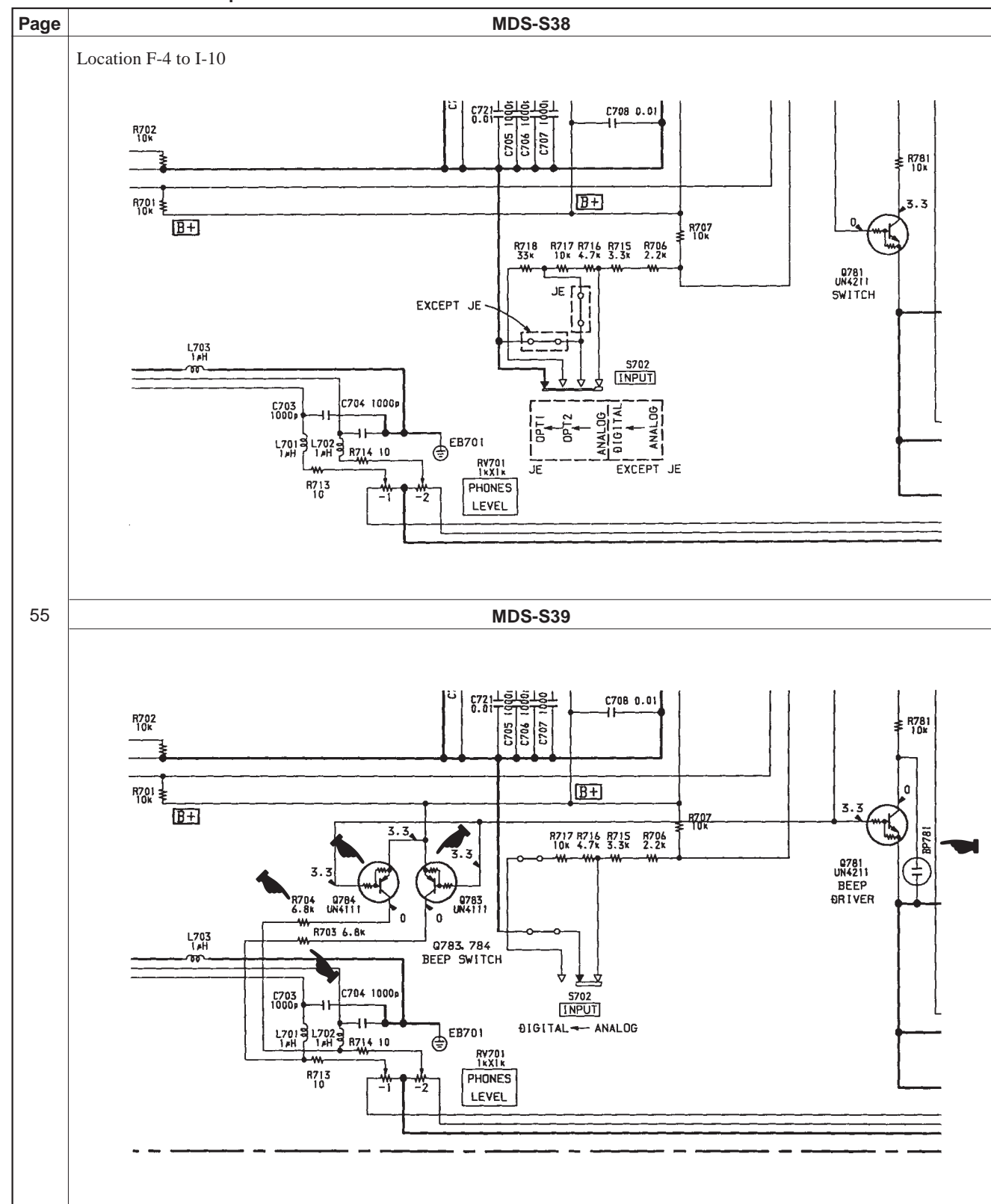
1-1. PRINTED WIRING BOARDS AND SCHEMATIC DIAGRAM – MAIN SECTION –

 : indicates different portion

Page	MDS-S38	MDS-S39
54	<p>Location G-8 to K-11</p>  <p>DIGI OUT OPTICAL</p> <p>DIGI OPTIC</p>	<p>Location G-8 to K-11</p>  <p>BEEP OFF → ON</p> <p>DIGI OUT OPTICAL</p> <p>DIGI OPTIC</p>
49	<p>Location J-2 to M-5</p>  <p>JE</p> <p>EXC JE</p>	<p>Location J-2 to M-5</p>  <p>BEEP ON ← OFF</p> <p>JE</p> <p>EXC JE</p>

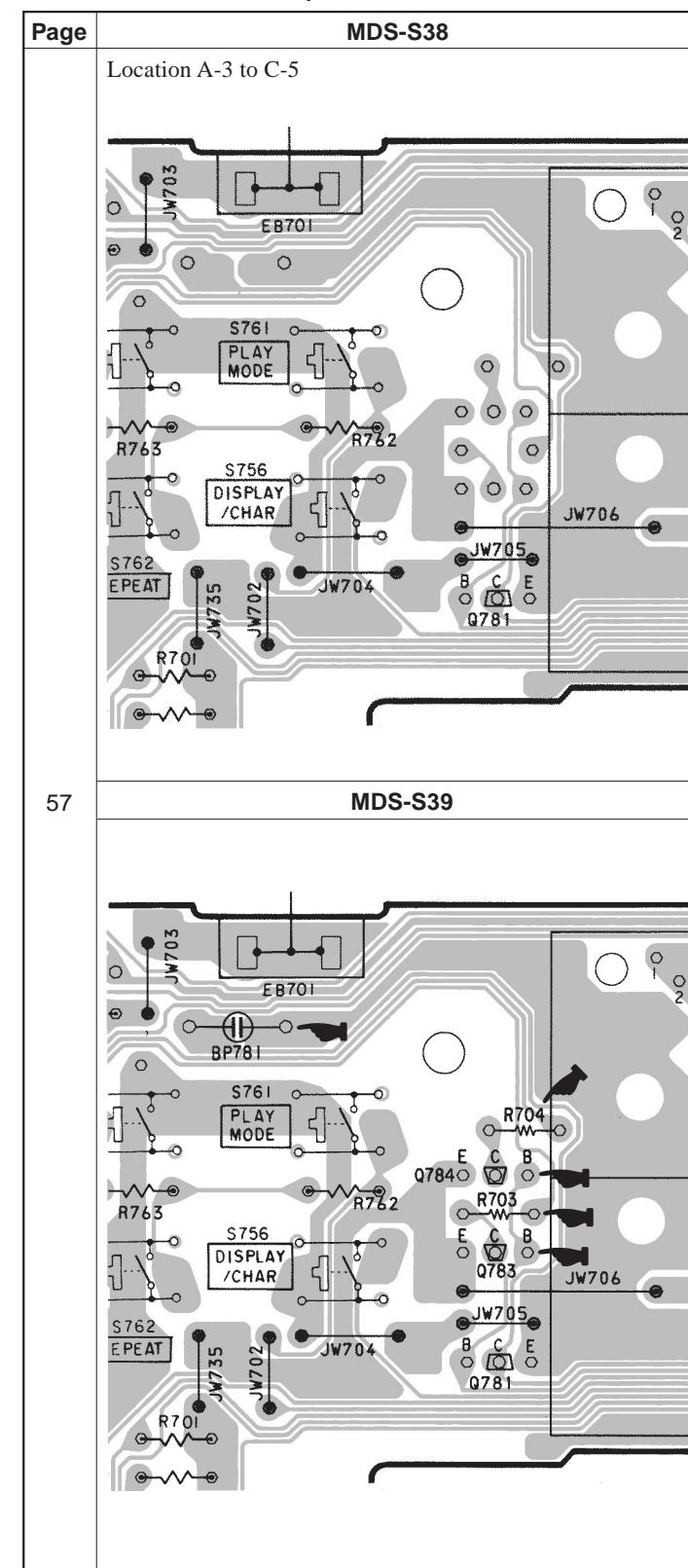
1-2. SCHEMATIC DIAGRAM – PANEL SECTION –

 : indicates different portion



1-3. PRINTED WIRING BOARD – PANEL SECTION –

 : indicates different portion



2. EXPLODED VIEWS

- Items marked "*" are not stocked since they are seldom required for routine service. Some delay should be anticipated when ordering these items.

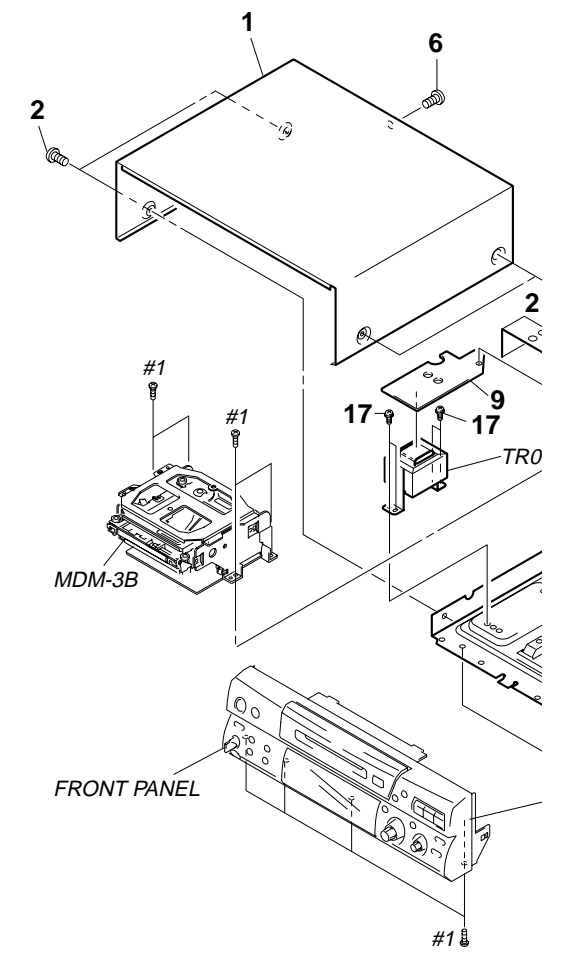
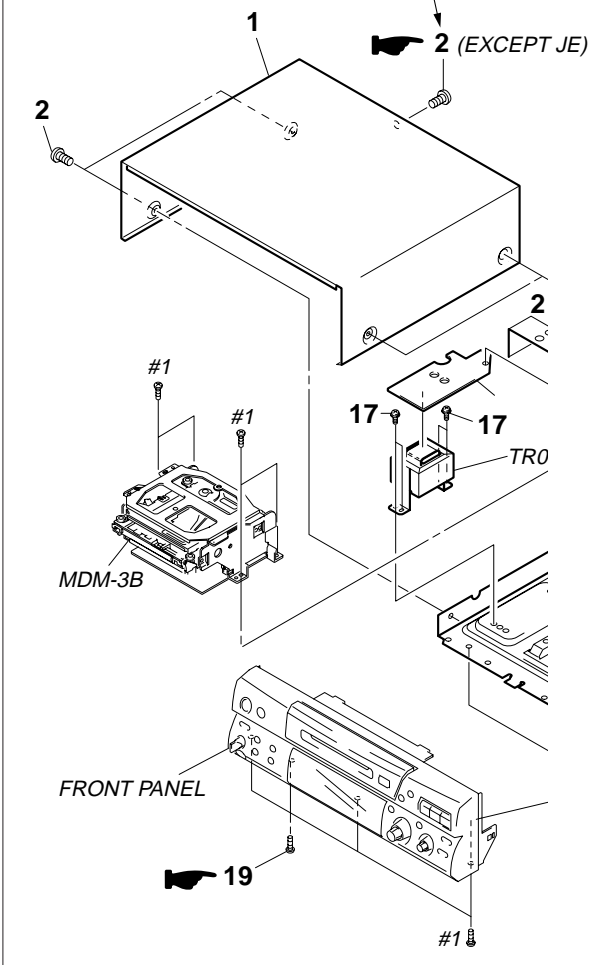
The components identified by mark Δ or dotted line with mark Δ are critical for safety. Replace only with part number specified.

Les composants identifiés par une marque Δ sont critiques pour la sécurité. Ne les remplacer que par une pièce portant le numéro spécifié.

- Abbreviation
CND : Canadian
HK : Hong Kong
JE : Tourist
SP : Singapore

• DIFFERENCE TABLE

 : Indicates different portion

Page	MDS-S38	MDS-S39																																																																																																				
74	<p>7-1. MAIN SECTION</p> 	<p>7-1. MAIN SECTION</p> <p><i>This is not used on JE model.</i></p> 																																																																																																				
	<table border="1"> <thead> <tr> <th>Ref. No.</th> <th>Part No.</th> <th>Description</th> <th>Remark</th> </tr> </thead> <tbody> <tr><td>* 1</td><td>4-990-703-11</td><td>CASE (SILVER)</td><td></td></tr> <tr><td>* 3</td><td>A-4699-641-A</td><td>MAIN BOARD, COMPLETE (JE)</td><td></td></tr> <tr><td>* 3</td><td>A-4699-714-A</td><td>MAIN BOARD, COMPLETE (AEP, UK)</td><td></td></tr> <tr><td>* 3</td><td>A-4699-717-A</td><td>MAIN BOARD, COMPLETE (US, CND)</td><td></td></tr> <tr><td>* 3</td><td>A-4699-720-A</td><td>MAIN BOARD, COMPLETE (SP)</td><td></td></tr> <tr><td>* 3</td><td>A-4699-723-A</td><td>MAIN BOARD, COMPLETE (HK)</td><td></td></tr> <tr><td>6</td><td>3-703-685-21</td><td>SCREW (+BV 3X8)</td><td></td></tr> <tr><td>* 8</td><td>4-989-525-11</td><td>PANEL, BACK (US)</td><td></td></tr> <tr><td>* 8</td><td>4-989-525-21</td><td>PANEL, BACK (CND)</td><td></td></tr> <tr><td>* 8</td><td>4-989-525-31</td><td>PANEL, BACK (AEP)</td><td></td></tr> <tr><td>* 8</td><td>4-989-525-41</td><td>PANEL, BACK (UK)</td><td></td></tr> </tbody> </table>	Ref. No.	Part No.	Description	Remark	* 1	4-990-703-11	CASE (SILVER)		* 3	A-4699-641-A	MAIN BOARD, COMPLETE (JE)		* 3	A-4699-714-A	MAIN BOARD, COMPLETE (AEP, UK)		* 3	A-4699-717-A	MAIN BOARD, COMPLETE (US, CND)		* 3	A-4699-720-A	MAIN BOARD, COMPLETE (SP)		* 3	A-4699-723-A	MAIN BOARD, COMPLETE (HK)		6	3-703-685-21	SCREW (+BV 3X8)		* 8	4-989-525-11	PANEL, BACK (US)		* 8	4-989-525-21	PANEL, BACK (CND)		* 8	4-989-525-31	PANEL, BACK (AEP)		* 8	4-989-525-41	PANEL, BACK (UK)		<table border="1"> <thead> <tr> <th>Ref. No.</th> <th>Part No.</th> <th>Description</th> <th>Remark</th> </tr> </thead> <tbody> <tr><td>* 1</td><td>1-900-196-11</td><td>CASE (SILVER) (JE)</td><td></td></tr> <tr><td>* 1</td><td>1-990-703-51</td><td>CASE (SILVER) (EXCEPT JE)</td><td></td></tr> <tr><td>* 3</td><td>A-4724-483-A</td><td>MAIN BOARD, COMPLETE (JE)</td><td></td></tr> <tr><td>* 3</td><td>A-4699-952-A</td><td>MAIN BOARD, COMPLETE (AEP, UK)</td><td></td></tr> <tr><td>* 3</td><td>A-4699-949-A</td><td>MAIN BOARD, COMPLETE (US, CND)</td><td></td></tr> <tr><td>* 3</td><td>A-4699-955-A</td><td>MAIN BOARD, COMPLETE (SP)</td><td></td></tr> <tr><td>* 3</td><td>A-4724-153-A</td><td>MAIN BOARD, COMPLETE (HK)</td><td></td></tr> <tr><td></td><td></td><td>Not used</td><td></td></tr> <tr><td>* 8</td><td>4-997-180-11</td><td>PANEL, BACK (US)</td><td></td></tr> <tr><td>* 8</td><td>4-997-180-21</td><td>PANEL, BACK (CND)</td><td></td></tr> <tr><td>* 8</td><td>4-997-180-31</td><td>PANEL, BACK (AEP)</td><td></td></tr> <tr><td>* 8</td><td>4-997-180-41</td><td>PANEL, BACK (UK)</td><td></td></tr> </tbody> </table>	Ref. No.	Part No.	Description	Remark	* 1	1-900-196-11	CASE (SILVER) (JE)		* 1	1-990-703-51	CASE (SILVER) (EXCEPT JE)		* 3	A-4724-483-A	MAIN BOARD, COMPLETE (JE)		* 3	A-4699-952-A	MAIN BOARD, COMPLETE (AEP, UK)		* 3	A-4699-949-A	MAIN BOARD, COMPLETE (US, CND)		* 3	A-4699-955-A	MAIN BOARD, COMPLETE (SP)		* 3	A-4724-153-A	MAIN BOARD, COMPLETE (HK)				Not used		* 8	4-997-180-11	PANEL, BACK (US)		* 8	4-997-180-21	PANEL, BACK (CND)		* 8	4-997-180-31	PANEL, BACK (AEP)		* 8	4-997-180-41	PANEL, BACK (UK)	
Ref. No.	Part No.	Description	Remark																																																																																																			
* 1	4-990-703-11	CASE (SILVER)																																																																																																				
* 3	A-4699-641-A	MAIN BOARD, COMPLETE (JE)																																																																																																				
* 3	A-4699-714-A	MAIN BOARD, COMPLETE (AEP, UK)																																																																																																				
* 3	A-4699-717-A	MAIN BOARD, COMPLETE (US, CND)																																																																																																				
* 3	A-4699-720-A	MAIN BOARD, COMPLETE (SP)																																																																																																				
* 3	A-4699-723-A	MAIN BOARD, COMPLETE (HK)																																																																																																				
6	3-703-685-21	SCREW (+BV 3X8)																																																																																																				
* 8	4-989-525-11	PANEL, BACK (US)																																																																																																				
* 8	4-989-525-21	PANEL, BACK (CND)																																																																																																				
* 8	4-989-525-31	PANEL, BACK (AEP)																																																																																																				
* 8	4-989-525-41	PANEL, BACK (UK)																																																																																																				
Ref. No.	Part No.	Description	Remark																																																																																																			
* 1	1-900-196-11	CASE (SILVER) (JE)																																																																																																				
* 1	1-990-703-51	CASE (SILVER) (EXCEPT JE)																																																																																																				
* 3	A-4724-483-A	MAIN BOARD, COMPLETE (JE)																																																																																																				
* 3	A-4699-952-A	MAIN BOARD, COMPLETE (AEP, UK)																																																																																																				
* 3	A-4699-949-A	MAIN BOARD, COMPLETE (US, CND)																																																																																																				
* 3	A-4699-955-A	MAIN BOARD, COMPLETE (SP)																																																																																																				
* 3	A-4724-153-A	MAIN BOARD, COMPLETE (HK)																																																																																																				
		Not used																																																																																																				
* 8	4-997-180-11	PANEL, BACK (US)																																																																																																				
* 8	4-997-180-21	PANEL, BACK (CND)																																																																																																				
* 8	4-997-180-31	PANEL, BACK (AEP)																																																																																																				
* 8	4-997-180-41	PANEL, BACK (UK)																																																																																																				

Page	MDS-S38	MDS-S39																																																																																																																																																
74	<table border="1"> <thead> <tr> <th>Ref. No.</th> <th>Part No.</th> <th>Description</th> <th>Remark</th> </tr> </thead> <tbody> <tr><td>* 8</td><td>4-989-525-51</td><td>PANEL, BACK (SP)</td><td></td></tr> <tr><td>* 8</td><td>4-989-525-61</td><td>PANEL, BACK (HK)</td><td></td></tr> <tr><td>* 8</td><td>4-989-525-72</td><td>PANEL, BACK (JE)</td><td></td></tr> <tr><td>10</td><td>3-531-576-01</td><td>RIVET (AEP, SP)</td><td></td></tr> <tr><td>10</td><td>3-531-576-11</td><td>RIVET (UK, SP, HK)</td><td></td></tr> <tr><td>Δ 15</td><td>1-575-651-91</td><td>CORD, POWER (AEP, SP, HK)</td><td></td></tr> <tr><td>18</td><td>4-956-370-12</td><td>BAND, PLUG FIXED (UK, HK)</td><td></td></tr> <tr><td>19</td><td></td><td>Not used</td><td></td></tr> </tbody> </table>	Ref. No.	Part No.	Description	Remark	* 8	4-989-525-51	PANEL, BACK (SP)		* 8	4-989-525-61	PANEL, BACK (HK)		* 8	4-989-525-72	PANEL, BACK (JE)		10	3-531-576-01	RIVET (AEP, SP)		10	3-531-576-11	RIVET (UK, SP, HK)		Δ 15	1-575-651-91	CORD, POWER (AEP, SP, HK)		18	4-956-370-12	BAND, PLUG FIXED (UK, HK)		19		Not used		<table border="1"> <thead> <tr> <th>Ref. No.</th> <th>Part No.</th> <th>Description</th> <th>Remark</th> </tr> </thead> <tbody> <tr><td>* 8</td><td>4-997-180-51</td><td>PANEL, BACK (SP)</td><td></td></tr> <tr><td>* 8</td><td>4-997-180-61</td><td>PANEL, BACK (HK)</td><td></td></tr> <tr><td>* 8</td><td>4-997-180-81</td><td>PANEL, BACK (JE)</td><td></td></tr> <tr><td></td><td></td><td>Not used</td><td></td></tr> <tr><td>10</td><td>3-531-576-11</td><td>RIVET (AEP, UK, SP, HK)</td><td></td></tr> <tr><td>Δ 15</td><td>1-777-071-31</td><td>CORD, POWER (AEP, SP, HK)</td><td></td></tr> <tr><td></td><td></td><td>Not used</td><td></td></tr> <tr><td>19</td><td>7-685-871-01</td><td>SCREW +BVTT 3X6 (S)</td><td></td></tr> </tbody> </table>	Ref. No.	Part No.	Description	Remark	* 8	4-997-180-51	PANEL, BACK (SP)		* 8	4-997-180-61	PANEL, BACK (HK)		* 8	4-997-180-81	PANEL, BACK (JE)				Not used		10	3-531-576-11	RIVET (AEP, UK, SP, HK)		Δ 15	1-777-071-31	CORD, POWER (AEP, SP, HK)				Not used		19	7-685-871-01	SCREW +BVTT 3X6 (S)																																																																									
Ref. No.	Part No.	Description	Remark																																																																																																																																															
* 8	4-989-525-51	PANEL, BACK (SP)																																																																																																																																																
* 8	4-989-525-61	PANEL, BACK (HK)																																																																																																																																																
* 8	4-989-525-72	PANEL, BACK (JE)																																																																																																																																																
10	3-531-576-01	RIVET (AEP, SP)																																																																																																																																																
10	3-531-576-11	RIVET (UK, SP, HK)																																																																																																																																																
Δ 15	1-575-651-91	CORD, POWER (AEP, SP, HK)																																																																																																																																																
18	4-956-370-12	BAND, PLUG FIXED (UK, HK)																																																																																																																																																
19		Not used																																																																																																																																																
Ref. No.	Part No.	Description	Remark																																																																																																																																															
* 8	4-997-180-51	PANEL, BACK (SP)																																																																																																																																																
* 8	4-997-180-61	PANEL, BACK (HK)																																																																																																																																																
* 8	4-997-180-81	PANEL, BACK (JE)																																																																																																																																																
		Not used																																																																																																																																																
10	3-531-576-11	RIVET (AEP, UK, SP, HK)																																																																																																																																																
Δ 15	1-777-071-31	CORD, POWER (AEP, SP, HK)																																																																																																																																																
		Not used																																																																																																																																																
19	7-685-871-01	SCREW +BVTT 3X6 (S)																																																																																																																																																
75	<table border="1"> <tbody> <tr><td>51</td><td>X-4948-319-1</td><td>PANEL ASSY, FRONT (SILVER) (JE)</td><td></td></tr> <tr><td>51</td><td>X-4948-320-1</td><td>PANEL ASSY, FRONT (BLACK)</td><td></td></tr> <tr><td>51</td><td>X-4948-321-1</td><td>PANEL ASSY, FRONT (SILVER) (EXCEPT JE)</td><td></td></tr> <tr><td>54</td><td>4-989-520-11</td><td>KNOB (REC) (SILVER)</td><td></td></tr> <tr><td>55</td><td>4-989-519-11</td><td>KNOB (AMS) (SILVER)</td><td></td></tr> <tr><td>56</td><td>4-989-518-11</td><td>KNOB (HP) (SILVER)</td><td></td></tr> <tr><td>57</td><td>4-989-517-11</td><td>KNOB (INPUT) (SILVER)</td><td></td></tr> <tr><td>58</td><td>4-989-516-01</td><td>KNOB (TIMER) (BLACK)</td><td></td></tr> <tr><td>58</td><td>4-989-516-11</td><td>KNOB (TIMER) (SILVER)</td><td></td></tr> <tr><td>* 62</td><td>A-4699-645-A</td><td>PANEL BOARD, COMPLETE (JE)</td><td></td></tr> <tr><td>* 62</td><td>A-4699-715-A</td><td>PANEL BOARD, COMPLETE (AEP, UK)</td><td></td></tr> <tr><td>* 62</td><td>A-4699-718-A</td><td>PANEL BOARD, COMPLETE (US, CND)</td><td></td></tr> <tr><td>* 62</td><td>A-4699-721-A</td><td>PANEL BOARD, COMPLETE (SP)</td><td></td></tr> <tr><td>* 62</td><td>A-4699-724-A</td><td>PANEL BOARD, COMPLETE (HK)</td><td></td></tr> <tr><td>63</td><td>4-989-507-21</td><td>ESCUTCHEON (MD) (BLACK)</td><td></td></tr> <tr><td>63</td><td>4-989-507-31</td><td>ESCUTCHEON (MD) (SILVER)</td><td></td></tr> <tr><td>64</td><td>4-989-515-21</td><td>BUTTON (EJECT)</td><td></td></tr> <tr><td>FL701</td><td>1-517-575-11</td><td>INDICATOR TUBE, FLUORESCENT</td><td></td></tr> </tbody> </table>	51	X-4948-319-1	PANEL ASSY, FRONT (SILVER) (JE)		51	X-4948-320-1	PANEL ASSY, FRONT (BLACK)		51	X-4948-321-1	PANEL ASSY, FRONT (SILVER) (EXCEPT JE)		54	4-989-520-11	KNOB (REC) (SILVER)		55	4-989-519-11	KNOB (AMS) (SILVER)		56	4-989-518-11	KNOB (HP) (SILVER)		57	4-989-517-11	KNOB (INPUT) (SILVER)		58	4-989-516-01	KNOB (TIMER) (BLACK)		58	4-989-516-11	KNOB (TIMER) (SILVER)		* 62	A-4699-645-A	PANEL BOARD, COMPLETE (JE)		* 62	A-4699-715-A	PANEL BOARD, COMPLETE (AEP, UK)		* 62	A-4699-718-A	PANEL BOARD, COMPLETE (US, CND)		* 62	A-4699-721-A	PANEL BOARD, COMPLETE (SP)		* 62	A-4699-724-A	PANEL BOARD, COMPLETE (HK)		63	4-989-507-21	ESCUTCHEON (MD) (BLACK)		63	4-989-507-31	ESCUTCHEON (MD) (SILVER)		64	4-989-515-21	BUTTON (EJECT)		FL701	1-517-575-11	INDICATOR TUBE, FLUORESCENT		<table border="1"> <tbody> <tr><td>51</td><td>X-4949-429-3</td><td>PANEL ASSY, FRONT (SILVER) (JE)</td><td></td></tr> <tr><td>51</td><td>X-4949-430-1</td><td>PANEL ASSY, FRONT (BLACK)</td><td></td></tr> <tr><td>51</td><td>X-4949-429-1</td><td>PANEL ASSY, FRONT (SILVER) (EXCEPT JE)</td><td></td></tr> <tr><td>54</td><td>4-989-520-21</td><td>KNOB (REC) (SILVER)</td><td></td></tr> <tr><td>55</td><td>4-989-519-21</td><td>KNOB (AMS) (SILVER)</td><td></td></tr> <tr><td>56</td><td>4-989-518-21</td><td>KNOB (HP) (SILVER)</td><td></td></tr> <tr><td>57</td><td>4-989-517-21</td><td>KNOB (INPUT) (SILVER)</td><td></td></tr> <tr><td>58</td><td>4-996-664-11</td><td>KNOB (TIMER) (BLACK)</td><td></td></tr> <tr><td>58</td><td>4-996-664-01</td><td>KNOB (TIMER) (SILVER)</td><td></td></tr> <tr><td>* 62</td><td>A-4724-484-A</td><td>PANEL BOARD, COMPLETE (JE)</td><td></td></tr> <tr><td>* 62</td><td>A-4699-953-A</td><td>PANEL BOARD, COMPLETE (AEP, UK)</td><td></td></tr> <tr><td>* 62</td><td>A-4699-950-A</td><td>PANEL BOARD, COMPLETE (US, CND)</td><td></td></tr> <tr><td>* 62</td><td>A-4699-956-A</td><td>PANEL BOARD, COMPLETE (SP)</td><td></td></tr> <tr><td>* 62</td><td>A-4724-154-A</td><td>PANEL BOARD, COMPLETE (HK)</td><td></td></tr> <tr><td></td><td></td><td>Not used</td><td></td></tr> <tr><td></td><td></td><td>Not used</td><td></td></tr> <tr><td></td><td></td><td>Not used</td><td></td></tr> <tr><td>FL701</td><td>1-517-768-11</td><td>INDICATOR TUBE, FLUORESCENT</td><td></td></tr> </tbody> </table>	51	X-4949-429-3	PANEL ASSY, FRONT (SILVER) (JE)		51	X-4949-430-1	PANEL ASSY, FRONT (BLACK)		51	X-4949-429-1	PANEL ASSY, FRONT (SILVER) (EXCEPT JE)		54	4-989-520-21	KNOB (REC) (SILVER)		55	4-989-519-21	KNOB (AMS) (SILVER)		56	4-989-518-21	KNOB (HP) (SILVER)		57	4-989-517-21	KNOB (INPUT) (SILVER)		58	4-996-664-11	KNOB (TIMER) (BLACK)		58	4-996-664-01	KNOB (TIMER) (SILVER)		* 62	A-4724-484-A	PANEL BOARD, COMPLETE (JE)		* 62	A-4699-953-A	PANEL BOARD, COMPLETE (AEP, UK)		* 62	A-4699-950-A	PANEL BOARD, COMPLETE (US, CND)		* 62	A-4699-956-A	PANEL BOARD, COMPLETE (SP)		* 62	A-4724-154-A	PANEL BOARD, COMPLETE (HK)				Not used				Not used				Not used		FL701	1-517-768-11	INDICATOR TUBE, FLUORESCENT	
51	X-4948-319-1	PANEL ASSY, FRONT (SILVER) (JE)																																																																																																																																																
51	X-4948-320-1	PANEL ASSY, FRONT (BLACK)																																																																																																																																																
51	X-4948-321-1	PANEL ASSY, FRONT (SILVER) (EXCEPT JE)																																																																																																																																																
54	4-989-520-11	KNOB (REC) (SILVER)																																																																																																																																																
55	4-989-519-11	KNOB (AMS) (SILVER)																																																																																																																																																
56	4-989-518-11	KNOB (HP) (SILVER)																																																																																																																																																
57	4-989-517-11	KNOB (INPUT) (SILVER)																																																																																																																																																
58	4-989-516-01	KNOB (TIMER) (BLACK)																																																																																																																																																
58	4-989-516-11	KNOB (TIMER) (SILVER)																																																																																																																																																
* 62	A-4699-645-A	PANEL BOARD, COMPLETE (JE)																																																																																																																																																
* 62	A-4699-715-A	PANEL BOARD, COMPLETE (AEP, UK)																																																																																																																																																
* 62	A-4699-718-A	PANEL BOARD, COMPLETE (US, CND)																																																																																																																																																
* 62	A-4699-721-A	PANEL BOARD, COMPLETE (SP)																																																																																																																																																
* 62	A-4699-724-A	PANEL BOARD, COMPLETE (HK)																																																																																																																																																
63	4-989-507-21	ESCUTCHEON (MD) (BLACK)																																																																																																																																																
63	4-989-507-31	ESCUTCHEON (MD) (SILVER)																																																																																																																																																
64	4-989-515-21	BUTTON (EJECT)																																																																																																																																																
FL701	1-517-575-11	INDICATOR TUBE, FLUORESCENT																																																																																																																																																
51	X-4949-429-3	PANEL ASSY, FRONT (SILVER) (JE)																																																																																																																																																
51	X-4949-430-1	PANEL ASSY, FRONT (BLACK)																																																																																																																																																
51	X-4949-429-1	PANEL ASSY, FRONT (SILVER) (EXCEPT JE)																																																																																																																																																
54	4-989-520-21	KNOB (REC) (SILVER)																																																																																																																																																
55	4-989-519-21	KNOB (AMS) (SILVER)																																																																																																																																																
56	4-989-518-21	KNOB (HP) (SILVER)																																																																																																																																																
57	4-989-517-21	KNOB (INPUT) (SILVER)																																																																																																																																																
58	4-996-664-11	KNOB (TIMER) (BLACK)																																																																																																																																																
58	4-996-664-01	KNOB (TIMER) (SILVER)																																																																																																																																																
* 62	A-4724-484-A	PANEL BOARD, COMPLETE (JE)																																																																																																																																																
* 62	A-4699-953-A	PANEL BOARD, COMPLETE (AEP, UK)																																																																																																																																																
* 62	A-4699-950-A	PANEL BOARD, COMPLETE (US, CND)																																																																																																																																																
* 62	A-4699-956-A	PANEL BOARD, COMPLETE (SP)																																																																																																																																																
* 62	A-4724-154-A	PANEL BOARD, COMPLETE (HK)																																																																																																																																																
		Not used																																																																																																																																																
		Not used																																																																																																																																																
		Not used																																																																																																																																																
FL701	1-517-768-11	INDICATOR TUBE, FLUORESCENT																																																																																																																																																

The components identified by mark Δ or dotted line with mark Δ are critical for safety. Replace only with part number specified.

Les composants identifiés par une marque Δ sont critiques pour la sécurité. Ne les remplacer que par une pièce portant le numéro spécifié.

3. ELECTRICAL PARTS LIST

- Items marked “*” are not stocked since they are seldom required for routine service. Some delay should be anticipated when ordering these items.

- Abbreviation
 AED : North European
 CND : Canadian
 HK : Hong Kong
 JE : Tourist
 SP : Singapore

• DIFFERENCE TABLE

Page	MDS-S38						MDS-S39					
	Ref. No.	Part No.	Description	Remark			Ref. No.	Part No.	Description	Remark		
80	*	A-4699-641-A	MAIN BOARD, COMPLETE (JE)				*	A-4724-483-A	MAIN BOARD, COMPLETE (JE)			
	*	A-4699-714-A	MAIN BOARD, COMPLETE (AEP, UK)				*	A-4699-952-A	MAIN BOARD, COMPLETE (AEP, UK)			
	*	A-4699-717-A	MAIN BOARD, COMPLETE (US, CND)				*	A-4699-949-A	MAIN BOARD, COMPLETE (US, CND)			
	*	A-4699-720-A	MAIN BOARD, COMPLETE (SP)				*	A-4699-955-A	MAIN BOARD, COMPLETE (SP)			
	*	A-4699-723-A	MAIN BOARD, COMPLETE (HK)				*	A-4724-153-A	MAIN BOARD, COMPLETE (HK)			
82	R414	1-249-429-11	CARBON	10K	5%	1/4W	R414	Not used				
	R415	Not used					R415	1-249-429-11	CARBON	10K	5%	1/4W
83	S303	Not used					S303	1-762-175-11	SWITCH, SLIDE (BEEP)			
	*	A-4699-645-A	PANEL BOARD, COMPLETE (JE)				*	A-4724-484-A	PANEL BOARD, COMPLETE (JE)			
	*	A-4699-715-A	PANEL BOARD, COMPLETE (AEP, UK)				*	A-4699-953-A	PANEL BOARD, COMPLETE (AEP, UK)			
	*	A-4699-718-A	PANEL BOARD, COMPLETE (US, CND)				*	A-4699-950-A	PANEL BOARD, COMPLETE (US, CND)			
	*	A-4699-721-A	PANEL BOARD, COMPLETE (SP)				*	A-4699-956-A	PANEL BOARD, COMPLETE (SP)			
	*	A-4699-724-A	PANEL BOARD, COMPLETE (HK)				*	A-4724-154-A	PANEL BOARD, COMPLETE (HK)			
	BP701	Not used					BP701	1-529-104-11	BUZZER, PIEZOELECTRIC			
	FL701	1-517-575-11	INDICATOR TUBE, FLUORESCENT				FL701	1-517-768-11	INDICATOR TUBE, FLUORESCENT			
	Q783	Not used					Q783	8-729-422-57	TRANSISTOR UN4111			
	Q784	Not used					Q784	8-729-422-57	TRANSISTOR UN4111			
	R703	Not used					R703	1-249-427-11	CARBON	6.8K	5%	1/4W
	R704	Not used					R704	1-249-427-11	CARBON	6.8K	5%	1/4W
	R718	1-249-435-11	CARBON	33K	5%	1/4W	R718	Not used				
84	ACCESSORIES & PACKING MATERIALS *****						ACCESSORIES & PACKING MATERIALS *****					
	1-473-785-11	REMOTE COMMANDER (RM-D8M)				1-475-676-11	REMOTE COMMANDER (RM-D27M)					
	1-776-263-11	CORD, CONNECTION (AUDIO)				1-776-263-51	CORD, CONNECTION (AUDIO)					
	3-859-426-11	MANUAL, INSTRUCTION (ENGLISH, FRENCH, SPANISH)				3-862-110-11	MANUAL, INSTRUCTION (ENGLISH, FRENCH, SPANISH)					
	3-859-426-21	MANUAL, INSTRUCTION (CHINESE, PORTUGUESE) (AEP, SP)				3-862-110-21	MANUAL, INSTRUCTION (CHINESE, PORTUGUESE) (AEP, SP, JE)					
	3-859-426-31	MANUAL, INSTRUCTION (DUTCH, ITALIAN, GERMAN) (AEP)				3-862-110-31	MANUAL, INSTRUCTION (DUTCH, ITALIAN, GERMAN) (AEP)					
	3-859-426-41	MANUAL, INSTRUCTION (DANISH, FINNISH, SWEDISH) (AED)				3-862-110-41	MANUAL, INSTRUCTION (DANISH, FINNISH, SWEDISH) (AED)					

