

SHARP SERVICE MANUAL

No. S3016MDSR70H/

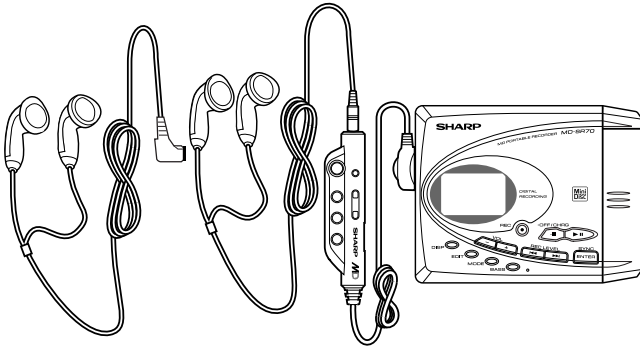


Illustration: MD-SR505E/70H

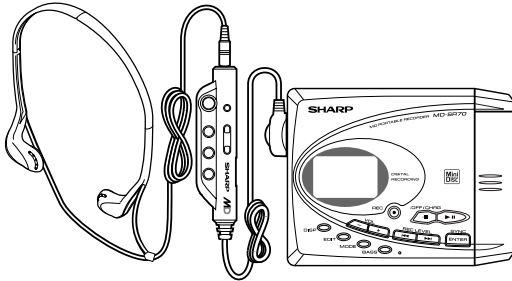


Illustration: MD-SR70W



MD-SR505E(S) MD-SR70H(BL) MD-SR70H(S) MD-SR70W(S)

- In the interests of user-safety the set should be restored to its original condition and only parts identical to those specified be used.

These new model MD-SR505E/70H/70W have almost the same structure as the former model MD-SR50H(S) except for some outer parts, the colour of the main unit has changed from black to champagne green, and so only these parts are here described. When servicing the MD-SR505E/70H/70W, please refer to the already issued service manual for MD-SR50H/50W/60E/60W(S2006MDSR50H/) as well as this service manual.

SPECIFICATIONS

■ General

Power source: (MD-SR505E)

- DC 1.2V: Rechargeable Nickel-Metal Hydride battery (AD-N70BT) x 1
DC 5V : AC adaptor (AC 230-240V, 50/60 Hz)
DC 1.5V: Commercially available, "AA" size (LR6), alkaline battery x 1
DC 4.5V: Separately available car adaptor, AD-CA20X (for cars with a 12-24V DC negative earth electrical system)

Power source: (MD-SR70H)

- DC 1.2V: Rechargeable Nickel-Metal Hydride battery (AD-N70BT) x 1
DC 5V : AC adaptor (AC 220-230V, 50/60 Hz)
DC 1.5V: Commercially available, "AA" size (LR6), alkaline battery x 1
DC 4.5V: Optional car adaptor, AD-CA20X (for cars with a 12-24V DC negative earth electrical system)

Power source: (MD-SR70W)

- DC 1.2V: Rechargeable Nickel-Metal Hydride battery (AD-N70BT) x 1
DC 5V : AC adaptor (AC 210-240V, 50/60 Hz)
DC 1.5V: Commercially available, "AA" size (LR6), alkaline battery x 1
DC 4.5V: Separately available car adaptor, AD-CA20X (for cars with a 12-24V DC negative earth electrical system)

Power consumption: 7W (AC adaptor)
(MD-SR505E/70H)

Power consumption: 0.15A (AC adaptor)
(MD-SR70W)

Output level:(MD-SR505E/70H)

	Specified output	Maximum output level	Load impedance
Earphones	—	10 mW + 10 mW	32 ohms
LINE	250 mV (-12 dB)	—	10 kohms

Output level:(MD-SR70W)

	Specified output	Maximum output level	Load impedance
Headphones	—	10 mW + 10 mW	16 ohms
LINE	250 mV (-12 dB)	—	10 kohms

Output socket:
(MD-SR505E/70H)

Earphones (impedance: 32 ohms)

Output socket:
(MD-SR70W)

Headphones (impedance: 16 ohms)/
remote control unit

MD-SR505E/70H/70W

DIFFERENCE BETWEEN MD-SR50H(S) AND MD-SR505E/70H/70W

REF. NO.	PART NO. ★	PART NO. ★	DESCRIPTION	CODE		
	MD-SR50H(S)	MD-SR505E/70H/70W				
CABINET PARTS						
201	GFTAT3008AWM1	J	GFTAT3011AWM1 GFTAT3012AWM1	J J	Top Cabinet [SR70H-S/SR70W] Top Cabinet [SR505E]	AW
202	GCABA1194AWSA	J	GFTAT3012AWM2 GCABA1197AWSA GCABA1197AWSB	J J J	Top Cabinet [SR70H-BL] Center Cabinet [Except for SR70H-BL] Center Cabinet [SR70H-BL]	AH
203	GFTAU3019AWSA	J	GFTAU3032AWSA GFTAU3033AWSA GFTAU3034AWSA GFTAU3035AWSA	J J J J	Bottom Cabinet [SR70H-S] Bottom Cabinet [SR70H-BL] Bottom Cabinet [SR505E] Bottom Cabinet [SR70W]	AQ AS
204	HDECQ0527AWSA	J	HDECQ0552AWSC	J	Decoration Plate	AM
207	GD6RB0002AWSA	J	GD6RB0003AWSA GD6RB0003AWSB	J J	Cover, Battery [Except for SR70H-BL] Cover, Battery [SR70H-BL]	AF AF
215	JKNBZ0667AWSA	J	JKNBZ0684AWSA	J	Button, Operation	AK
231	PSHEZ0051AWZZ	J	PSHEZ0057AWZZ	J	Sheet, Operation Button C	
232	PSHEZ0052AWZZ	J	PSHEZ0058AWZZ	J	Sheet, Operation Button D	
ACCESSORIES/PACKING PARTS						
1	Not Used		RPH6H0005AWZZ	J	Headphones [SR70W Only]	AX
2	RPH6H0001AWZZ	J	RPH6H0001AWZZ RPH6H0176AFZZ	J J	Earphones [SR505E] Earphones [SR70H]	AW AR
3	Not Used		RRMCW0002AWZZ	J	Remote Control [Except for SR505E]	
4	Not Used		UBAGC0003AWZZ	J	Battery Case [Except for SR505E]	
5	TiNSE0296AWZZ	J	TiNSE0294AWZZ	J	Quick Guide [SR505E Only]	
6	SPAKZ0599AWZZ	J	SPAKZ0599AWZZ SPAKZ0600AWZZ SPAKZ0601AWZZ	J J J	Pad, AC Adapter [SR505E/SR70H] Pad, AC Adapter [SR70W Except for Australia/New Zealand/Hong Kong] Pad, AC Adapter [SR70W for Australia/New Zealand/Hong Kong]	
△ 7	RADPA7045AWZZ (For Europe)	J	RADPA5402AFZZ RADPA6435AFZZ RADPA7045AWZZ RADPA8046AWZZ RADPA8493AWZZ	J J J J J	AC Adapter [SR70W Except for Australia/New Zealand/Hong Kong] AC Adapter [SR70W for Australia/New Zealand] AC Adapter [SR70H] AC Adapter [SR505E]	BF BG AX AY
10	TiNSZ0520AWZZ (For Europe)	J	TiNSE0292AWZZ TiNSE0293AWZZ TiNSZ0522AWZZ TiNSZ0523AWZZ	J J J J	AC Adapter [SR70W Hong Kong] Operation Manual [SR505E] Operation Manual [SR70W for Australia/New Zealand] Operation Manual [SR70H] Operation Manual [SR70W Except for Australia/New Zealand]	AM
11	SPAKZ0490AWZZ	J	SPAKZ0490AWZZ	J	Operation Manual Spacer [Except for SR70H]	AC
13	SPAKC0948AWZZ (For Europe)	J	SPAKC0956AWZZ SPAKC0955AWZZ SPAKC0953AWZZ SPAKC0954AWZZ	J J J J	Packing Case [SR70W] Packing Case [SR505E] Packing Case [SR70H-S] Packing Case [SR70H-BL]	
15	TLABE0355AWZZ	J	TLABE0360AWZZ TLABE0361AWZZ TLABE0362AWZZ TLABE0363AWZZ	J J J J	Label, Bar Code [SR70H-S] Label, Bar Code [SR70H-BL] Label, Bar Code [SR505E] Label, Bar Code [SR70W]	
17	Not Used		92LG-CARD1266E	J	Guarantee Card [SR70W for Australia/New Zealand Only]	AB
18	Not Used		QCNWG0422AFZZ	J	Connecting Cord, Optical Type [Except for SR505E]	AQ

★ MARK: SPARE PARTS-DELIVERY SECTION

Parts marked with "△" are important for maintaining the safety of the set. Be sure to replace these parts with specified ones for maintaining the safety and performance of the set.

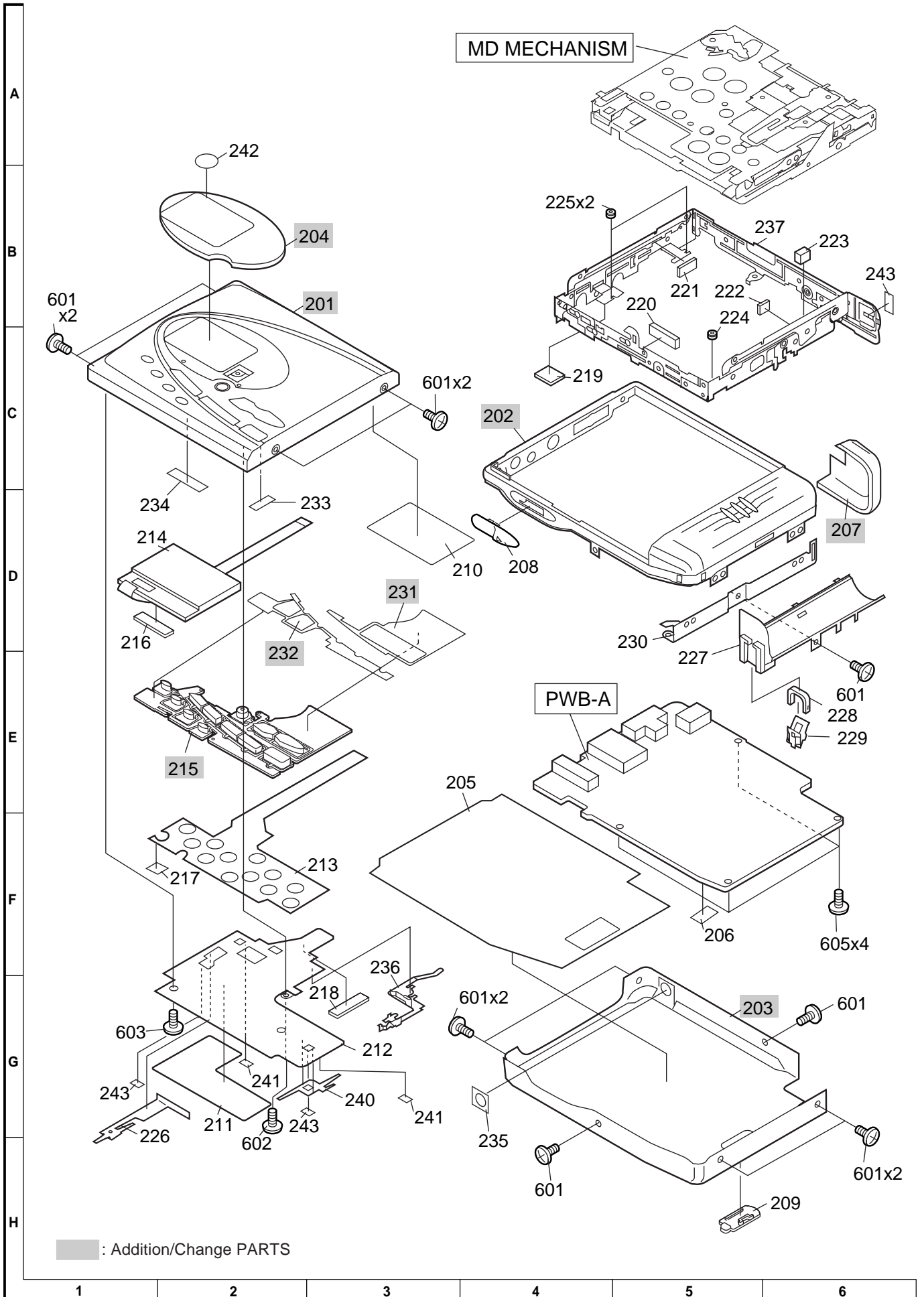


Figure 3 CABINET EXPLODED VIEW

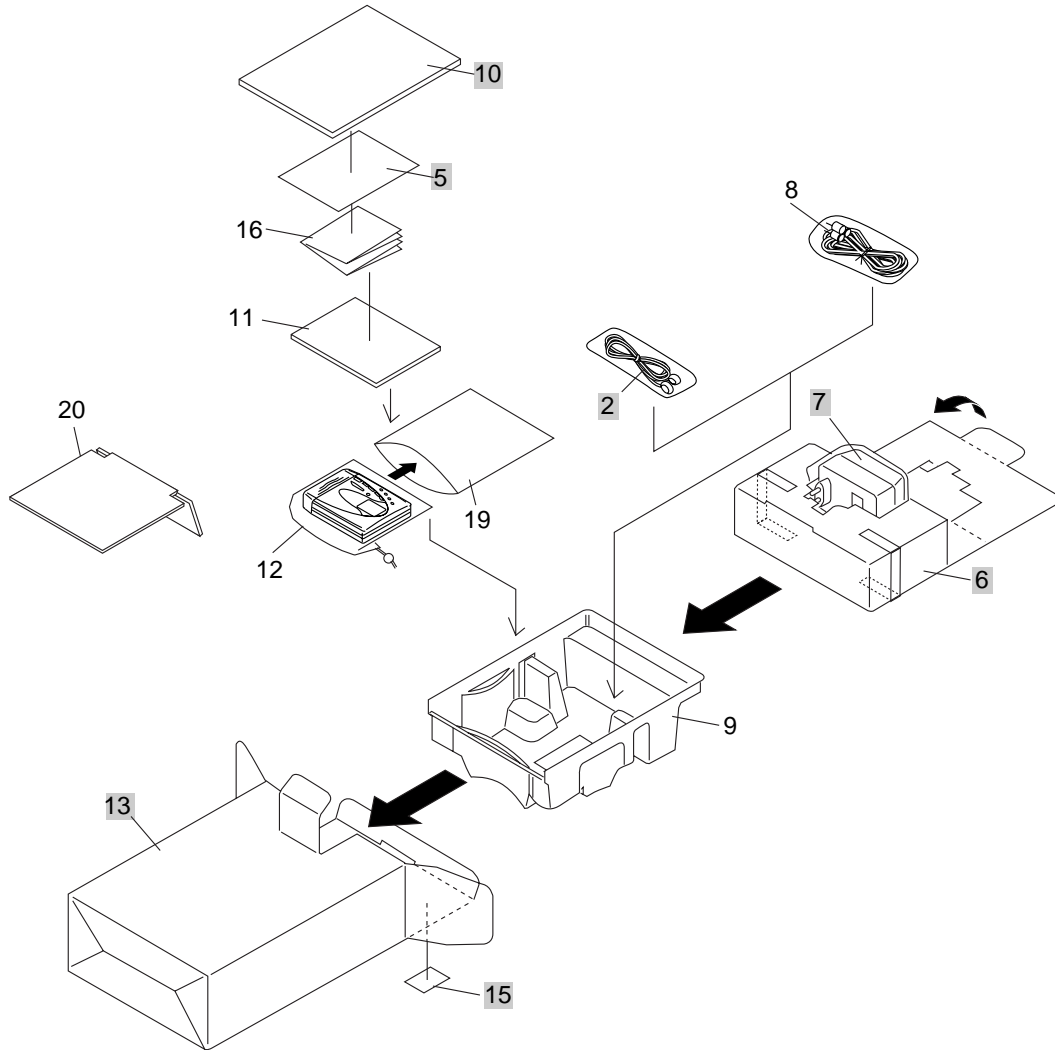
PACKING METHOD (MD-SR505E ONLY)

Setting position of switches and knobs		
UNIT	HOLD	OFF
Remote Control	HOLD	CANCEL

- | | | |
|---|---------------|---------------------------|
| 2 | RPH5H0001AWZZ | Earphones |
| 5 | TiNSE0294AWZZ | Quick Guide |
| 6 | SPAKZ0599AWZZ | Pad, AC Adapter |
| 7 | RADPA8046AWZZ | AC Adapter |
| 8 | QCNWG0382AFZZ | Connecting Cord, RCA Type |

- | | |
|----|---------------|
| 9 | SPAKA0237AWZZ |
| 10 | TiNSE0292AWZZ |
| 11 | SPAKZ0490AWZZ |
| 12 | UBAGC0006AWSA |
| 13 | SPAKC0955AWZZ |
| 15 | TLABE0362AWZZ |
| 16 | TCADS0003AWZZ |
| 19 | SSAKH0037AWZZ |
| 20 | SPAKZ0624AWZZ |

- | |
|-------------------------|
| Packing Add. |
| Operation Manual |
| Operation Manual Spacer |
| Carrying Case |
| Packing Case |
| Label, Bar Code |
| Service Card |
| Bag, SET |
| Pad, Protection |



■ : Change PARTS

SHARP

COPYRIGHT © 2000 BY SHARP CORPORATION

ALL RIGHTS RESERVED.

No part of this publication may be reproduced, stored in a retrieval system, or transmitted in any form or by any means, electronic, mechanical, photocopying, recording, or otherwise, without prior written permission of the publisher.

SHARP CORPORATION
 Communication Systems Group
 Quality & Reliability Control Center
 Higashihiroshima, Hiroshima 739-0192, Japan
 Printed in Japan

A0003-4398NS•HA•M

SG • SK • SCA • SCNZ • EX