

SONY®

Service Bulletin

NO: HIFI2-99-007

SUBJECT: UNIT RANDOMLY POWERS ON, CYCLES MD DISC TO LOAD/EJECT, RECORD FUNCTION DISABLED

DATE: MARCH 1999

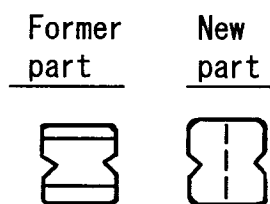
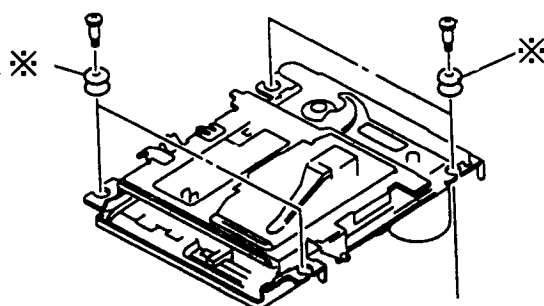
MODEL (S): MDS-S38/S39/JE320/JE500/JE510

Solution: Replace the following components with the improved versions. (Perform the upgrade on sets with applicable serial numbers regardless of the customers symptom.)

REF	FORMER		NEW	
	DESCRIPTION	P/N	DESCRIPTION	P/N
*	INSULATOR	4-987-327-01	INSULATOR	4-987-327-01
S681	PUSH SWITCH (1 KEY)	1-572-467-61	PUSH SWITCH (1 KEY) LIMIT IN	1-572-467-21
S685	PUSH SWITCH (1 KEY)	1-572-467-61	PUSH SWITCH (1 KEY) CHUCKING IN	1-572-467-21
S686	PUSH SWITCH (1 KEY)	1-762-621-21	PUSH SWITCH (1 KEY) PACK OUT	1-762-621-21
S688	PUSH SWITCH (1 KEY)	1-762-621-21	PUSH SWITCH (1 KEY) REC POSITION	1-762-621-21

Applicable Serial Numbers:

MDS-JE320	TO A773800
MDS-JE500	A770001 TO A770500
MDS-JE510	ALL
MDS-S38	A770001 TO A770500
MDS-S39	TO A770300



Sony of Canada Ltd.

115 Gordon Baker Road, Toronto, Ontario M2H-3R6
NATIONAL LAB - CONSUMER SERVICE

AU99003R1
SONAM 585