



US00D364884S

United States Patent [19] Shindo

[11] **Patent Number:** Des. 364,884
[45] **Date of Patent:** **Dec. 5, 1995

[54] **VIDEO CAMERA COMBINED WITH OPTICAL MAGNETIC DISC RECORDER**

[75] Inventor: **Koji Shindo**, Tokyo, Japan
[73] Assignee: **Sony Corporation**, Tokyo, Japan
[**] Term: **14 Years**

[21] Appl. No.: **20,365**
[22] Filed: **Mar. 25, 1994**

[30] **Foreign Application Priority Data**

Oct. 21, 1993 [JP] Japan 5-32021
[52] **U.S. Cl.** **D16/202**; D14/135
[58] **Field of Search** D16/200-205;
348/373-376; 354/82, 288; 358/906, 909.1;
D14/126, 129, 156, 135, 136; H04N 5/225

[56] **References Cited**

U.S. PATENT DOCUMENTS

D. 250,470 12/1978 Nishigaki et al. D14/136
D. 317,306 6/1991 Hong D14/135
D. 335,499 5/1993 Koinuma D16/202
D. 342,750 12/1993 Kibushi et al. D16/202
4,562,478 12/1985 Hirasawa et al. D14/126
5,032,921 7/1991 Harase et al. 348/375
5,146,353 9/1992 Isoguchi et al. 358/909.1

OTHER PUBLICATIONS

HFD, May 22, 1989 p. 14 (Panasonic's SL-NP II CP Player).
Sony Catalog, 1993 Cover Page (MD Minidisc Portable Player).

Primary Examiner—Theodore M. Shooman
Assistant Examiner—Adir Aronovich
Attorney, Agent, or Firm—Jay H. Maioli

[57] **CLAIM**

The ornamental design for a video camera combined with optical magnetic disc recorder, as shown and described.

DESCRIPTION

FIG. 1 is a top, front, and right-side perspective view of a video camera combined with optical magnetic disc recorder, showing my new design;

FIG. 2 is a top, rear and right-side perspective view thereof;

FIG. 3 is a front, bottom and left-side perspective view thereof, shown with an optical magnetic disc cartridge partially inserted therein, the broken line showing of the optical magnetic disc cartridge is for environmental purposes only and forms no part of the present design;

FIG. 4 is a front elevational view thereof;

FIG. 5 is a rear elevational view thereof;

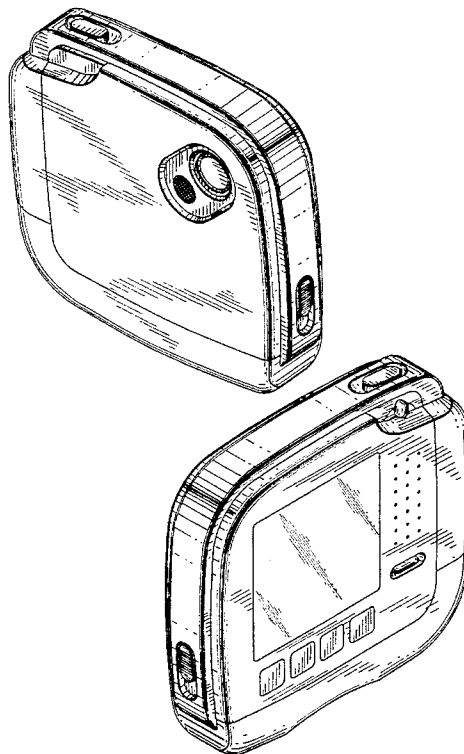
FIG. 6 is a left-side elevational view thereof;

FIG. 7 is a right-side elevational view thereof;

FIG. 8 is a top plan view thereof; and,

FIG. 9 is a bottom plan view thereof.

1 Claim, 4 Drawing Sheets



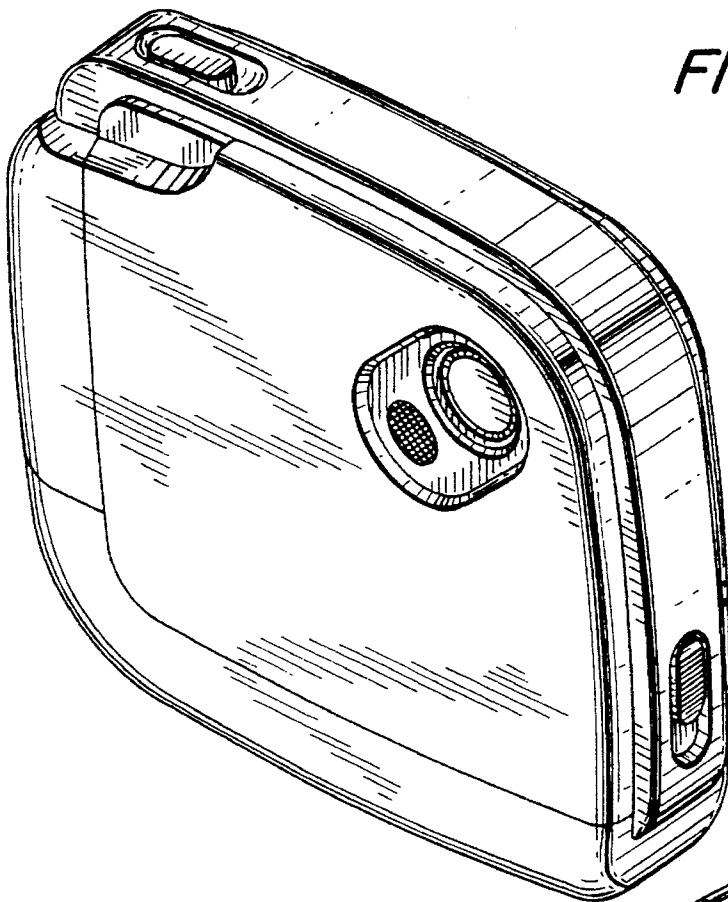
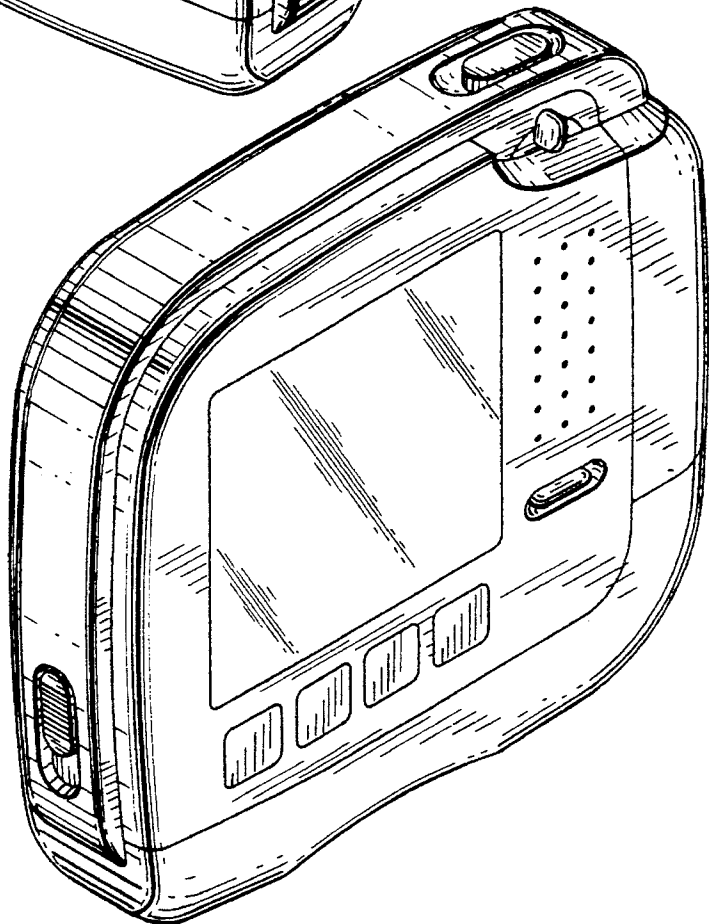


FIG. 1

FIG. 2



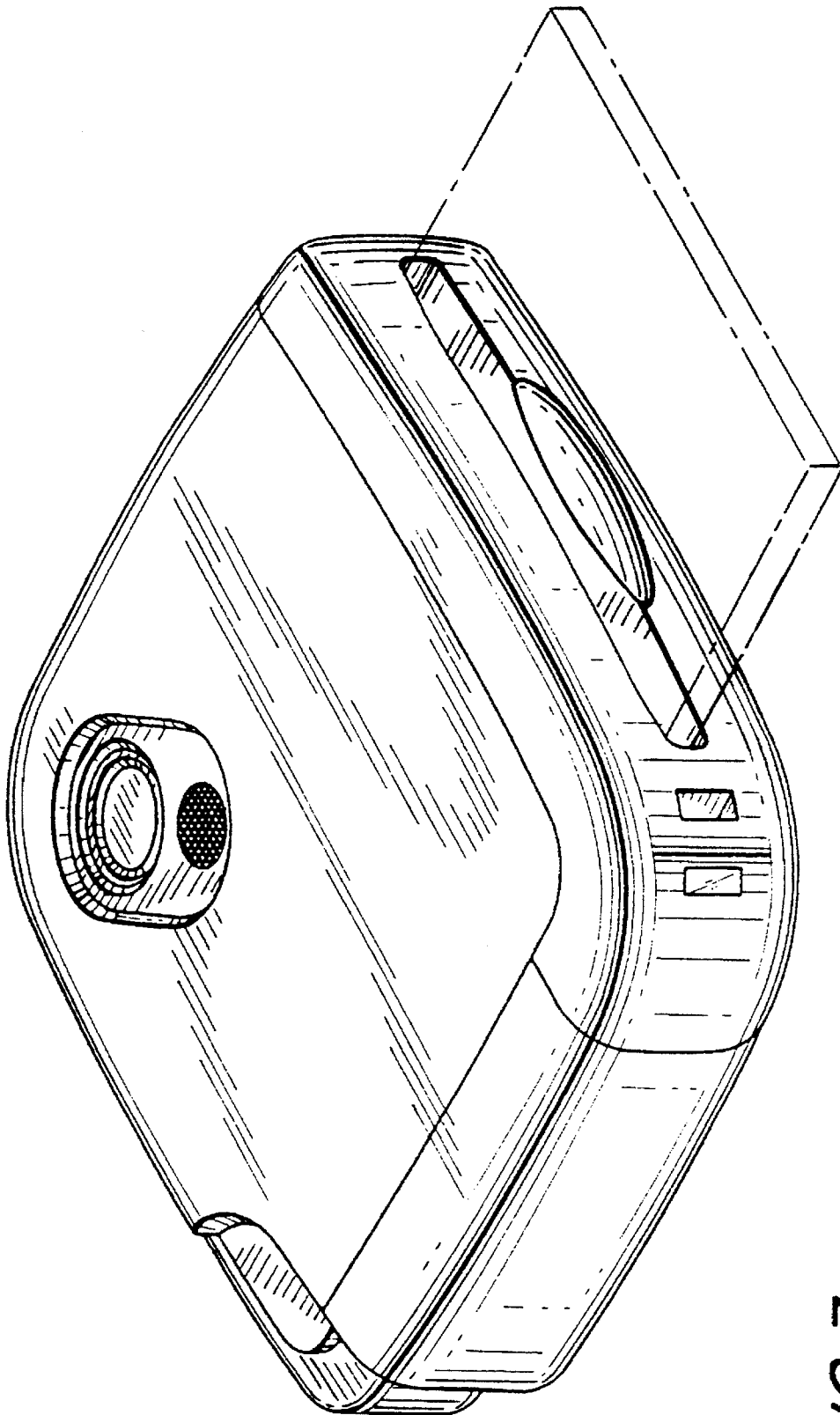


FIG. 3

FIG. 4

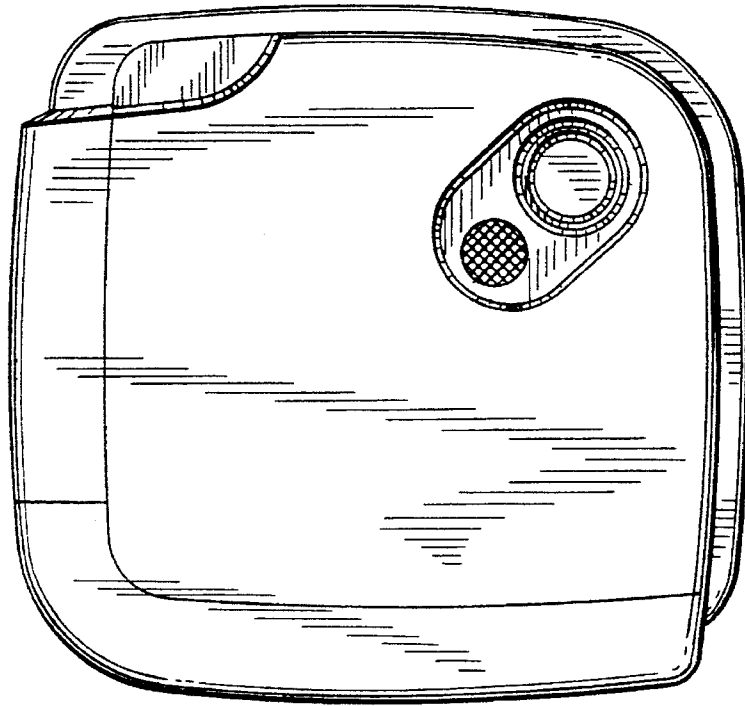


FIG. 5

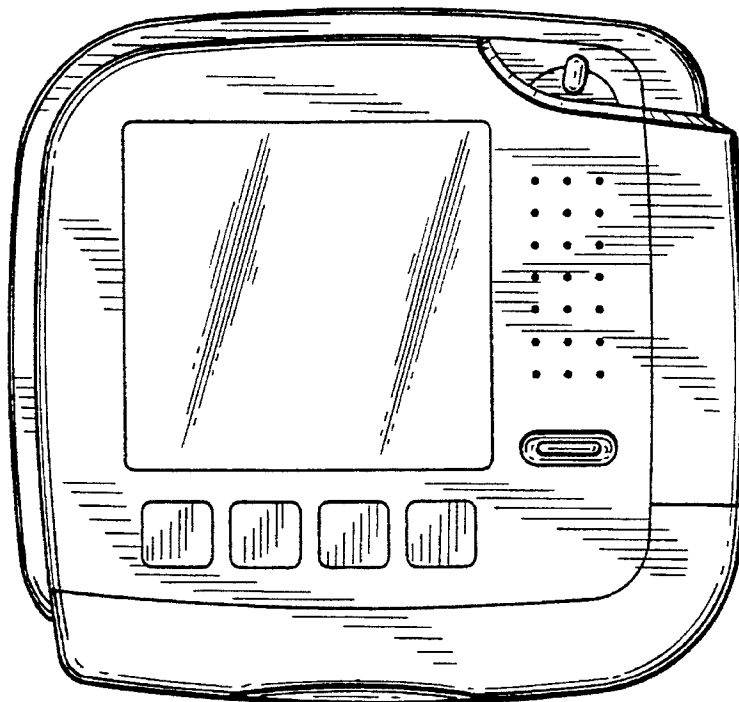


FIG.6

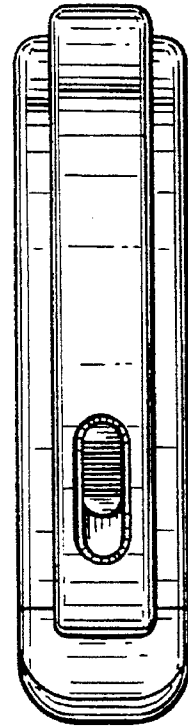
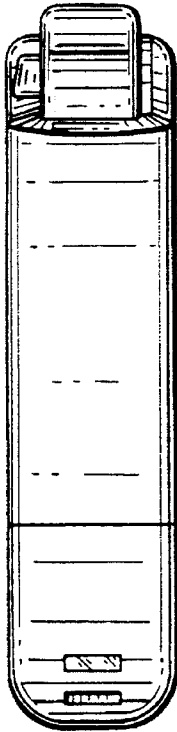


FIG.7

FIG.8

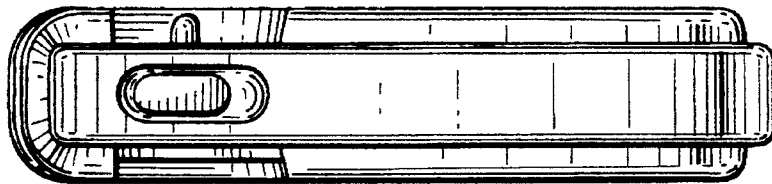


FIG.9

