

MZ-R50

-- SERVI CEMANUAL



US Model
Canadian Model
AEP Model
UK Model
E Model
Australian Model
Tourist Model

16 ABR. 1998

US and foreign parts licensed Dolby Laboratories Licensing Corporation.

Model Name Using Similar Mechanism	NEW
MD Mechanism Type	MT-MZR-50-143
Optical Pick-up Type	KMS-280A

SPECIFICATIONS

System

Audio playing system
MiniDisc digital audio system
Laser diode properties
Material: GaAlAs
Wavelength: $\lambda = 780 \text{ nm}$
Emission duration: continuous
Laser output: less than $44.6 \mu\text{W}$
(This output is the value measured at a distance of 200 mm from the lens surface on the optical pick-up block with 7 mm aperture.)
Recording and playback time
Maximum 74 minutes (MDW-74, stereo recording)
Maximum 148 minutes (MDW-74, monaural recording)
Revolutions
400 rpm to 900 rpm (CLV)
Error correction
Advanced Cross Interleave Reed Solomon Code (ACIRC)
Sampling frequency
44.1 kHz
Sampling rate converter
Input: 32 kHz / 44.1 kHz / 48 kHz
Coding
Adaptive Transform Acoustic Coding (ATRAC)
Modulation system
EFM (Eight to Fourteen Modulation)
Number of channels
2 stereo channels
1 monaural channel

Frequency response
20 to 20,000 Hz $\pm 3 \text{ dB}$
Wow and Flutter
Below measurable limit
Inputs
Microphone: stereo mini-jack, 0.22-0.78 mV
Line in: stereo mini-jack, 69-194 mV
Optical (Digital) in: optical (digital) mini-jack
Outputs
Headphones: stereo mini-jack, maximum output level 5 mW + 5 mW, load impedance 16 ohm
Line out: stereo mini-jack, 194 mV, load impedance 10 kilohm

General

Power requirements
Sony AC Power Adaptor (supplied)
connected at the DC IN 6 V jack:
120 V AC, 60 Hz (US, Canadian model)
220-230 V AC, 50/60 Hz (AEP model)
230-240 V AC, 50/60 Hz (UK, Hong Kong model)
240 V AC, 50/60 Hz (Australian model)
100-240 V AC, 50/60 Hz (E, Tourist model)
Lithium ion rechargeable battery LIP-8 (supplied)
Two LR6 (size AA) alkaline batteries (not supplied)

-- Continued on page 2 --

PORTABLE MINIDISC RECORDER



SONY®

Battery operation time

See "Battery life"

Battery life

Batteries	Recording	Playback
LIP-8 lithium ion Rechargeable battery	Approx. 4 hours	Approx. 7 hours
Two LR6 (size AA) Sony alkaline drv batteries		Approx. 12 hours
LIP-8 + Two LR6 (size AA)		Approx. 22 hours

Dimensions

Approx. 109.5 x 19.7 x 77 mm (w/h/d)

(4 3/8 x 25/32 x 3 1/8 in.)

Mass

Approx. 190 g (6.8 oz) the recorder only

Approx. 240 g (8.5 oz) incl, a recordable MD,

and LIP-8 lithium ion rechargeable battery

Supplied accessories

AC power adaptor (1)

Headphones with a remote control (1)

LIP-8 lithium ion rechargeable battery (1)

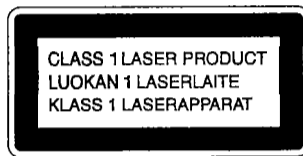
Dry battery case (1)

Ear pads (2)

Carrying case (1)

Design and specifications are subject to change without notice.

For customers in Europe



This MiniDisc Recorder is classified as a

CLASS 1 LASER product.

The CLASS 1 LASER PRODUCT label is

located on the bottom exterior.

WARNING

To prevent fire or shock hazard, do not expose the unit to rain or moisture.

To avoid electrical shock, do not open the cabinet. Refer servicing to qualified personnel only.

Caution

The use of optical instruments with this product will increase eye hazard.

Information

IN NO EVENT SHALL SELLER BE LIABLE FOR ANY DIRECT, INCIDENTAL OR CONSEQUENTIAL DAMAGES OF ANY NATURE, OR LOSSES OR EXPENSES RESULTING FROM ANY DEFECTIVE PRODUCT OR THE USE OF ANY PRODUCT.

"MD WALKMAN" is a trademark of Sony Corporation.

SAFETY-RELATED COMPONENT WARNING!!

COMPONENTS IDENTIFIED BY MARK Δ OR DOTTED LINE WITH MARK A ON THE SCHEMATIC DIAGRAMS AND IN THE PARTS LIST ARE CRITICAL TO SAFE OPERATION. REPLACE THESE COMPONENTS WITH SONY PARTS WHOSE PART NUMBERS APPEAR AS SHOWN IN THIS MANUAL OR IN SUPPLEMENTS PUBLISHED BY SONY.

TABLE OF CONTENTS

Specifications	1
1. SERVICING NOTE	3
2. GENERAL	
Location and Function of Controls	4
3. DISASSEMBLY	
3-1. Upper Panel Assy, Bottom Panel Assy Removal.....	20
3-2. Main Board Removal	21
3-3. Mechanism Deck (MT-MZR50-143) Removal.....	21
3-4. Optical Pick-up Assy, REC Board Removal	22
3-5. CLV Board Removal	22
3-6. Battery Case Assy Removal	23
3-7. Power Board, Switch Board Removal	23
3-8. Switch Unit (with JOG Dial) Removal	24
4. TEST MODE	25
5. ADJUSTMENTS	31
6. DIAGRAMS	
6-1. Explanation of IC Terminals	35
6-2. Block Diagrams	39
6-3. Circuit Boards Location	43
6-4. Printed Wiring Boards – Main Section –	45
6-5. Schematic Diagram – Main (1/3) Section –	49
6-6. Schematic Diagram – Main (2/3) Section –	53
6-7. Schematic Diagram – Main (3/3) Section –	57
7. EXPLODED VIEWS	
7-1. Upper Panel, Bottom Panel Section	65
7-2. Chassis Section	66
7-3. Mechanism Deck Section	67
8. ELECTRICAL PARTS LIST	68

Flexible Circuit Board Repairing

- Keep the temperature of the soldering iron around 270°C during repairing.
- Do not touch the soldering iron on the same conductor of the circuit board (within 3 times).
- Be careful not to apply force on the conductor when soldering or unsoldering.

Notes on chip component replacement

- Never reuse a disconnected chip component.
- Notice that the minus side of a tantalum capacitor may be damaged by heat.

ATTENTION AU COMPOSANT AYANT RAPPORT À LA SÉCURITÉ!

LES COMPOSANTS IDENTIFIÉS PAR UNE MARQUE Δ SUR LES DIAGRAMMES SCHÉMATIQUES ET LA LISTE DES PIÈCES SONT CRITIQUES POUR LA SÉCURITÉ DE FONCTIONNEMENT. NE REMPLACER CES COMPOSANTS QUE PAR DES PIÈCES SONY DONT LES NUMÉROS SONT DONNÉS DANS CE MANUEL OU DANS LES SUPPLÉMENTS PUBLIÉS PAR SONY.

SECTION 7 EXPLODED VIEWS

NOTE :

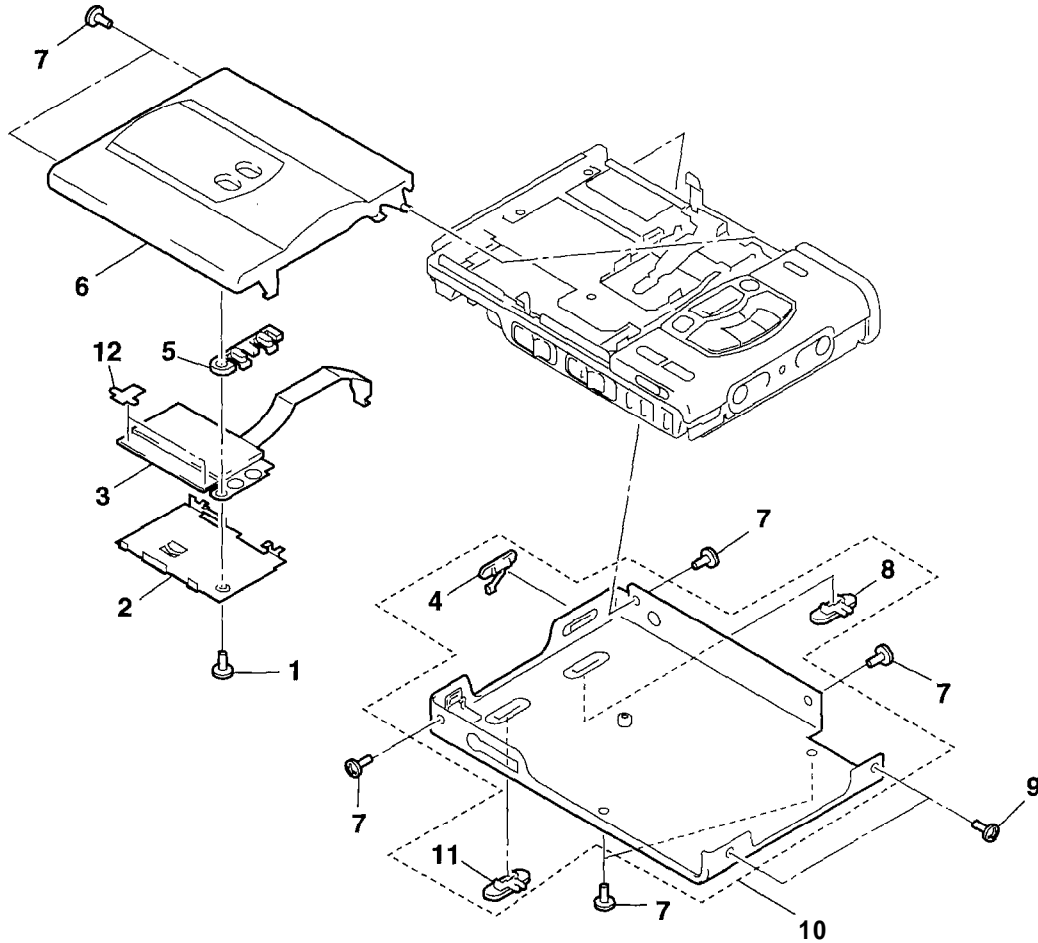
- -XX, -X mean standardized parts, so they may have some difference from the original one.
- Color indication of Appearance Parts
Example :
KNOB, BALANCE (WHITE) . . . (RED)
 ↑ ↑
 Parts color Cabinet's color
- Items marked " * " are not stocked since they are seldom required for routine service. Some delay should be anticipated when ordering these items.

- The mechanical parts with no reference number in the exploded views are not supplied.
- Accessories and packing materials are given in the last of this parts list.
- Abbreviation
AUS : Australian
HK : Hong Kong
JEW : Tourist
FR : French

The components identified by mark **A** or dotted line with mark Δ are critical for safety.
Replace only with part number specified.

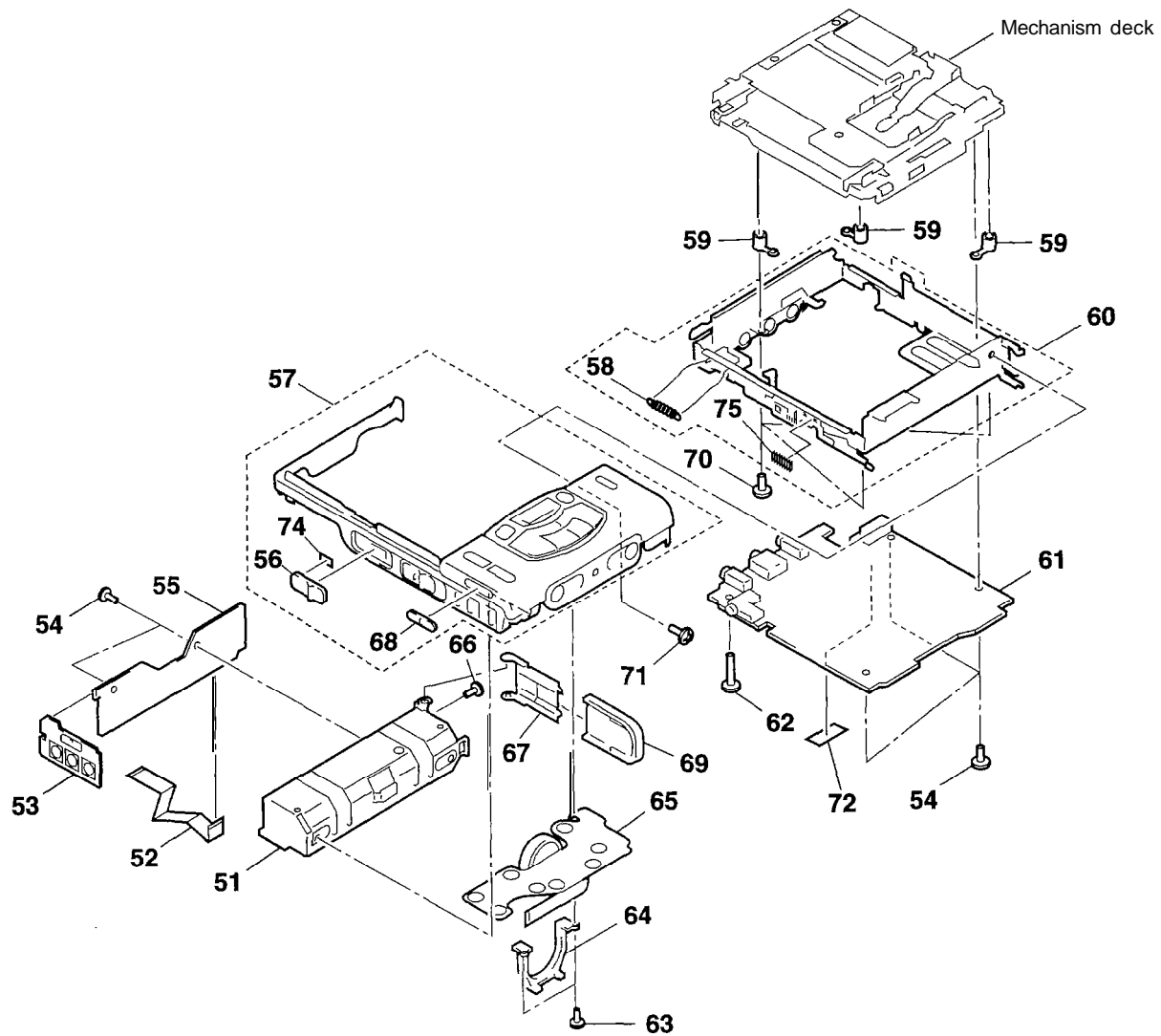
Les composants identifiés par une marque Δ sont critiques pour la sécurité.
Ne les remplacer que par une pièce portant le numéro spécifié.

7-I. UPPER PANEL, BOTTOM PANEL SECTION



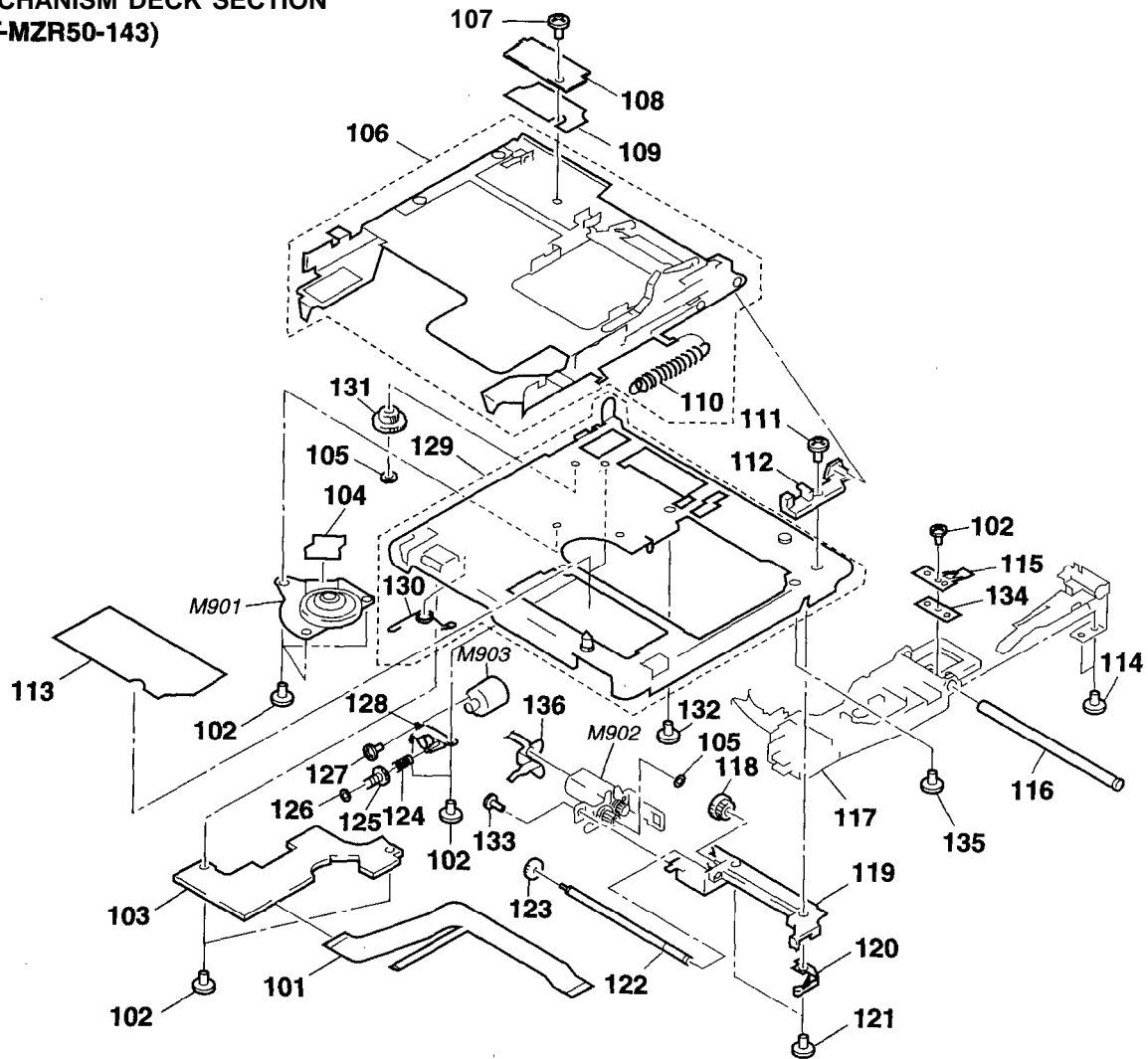
Ref. a	Part No.	Description	Remark	Ref. No.	Part No.	Description	Remark
1	3-349-825-52	SCREW, PRECISION		8	3-908-670-41	KNDB (DBB) . . . (SILVER)	
2	4-986-190-01	HOLDER (LCD)		8	3-908-670-51	KNOB (DBB) . . . (BLUE) (AEP,FR,UK,HK,JEW)	
3	1-801-522-21	LCD MODULE		9	4-963-883-61	SCREW (M1.4), PRECISION PAN	
4	4-995-429-01	KNOB (SYNC) . . . (SILVER)		10	X-4949-118-1	PANEL (S) ASSY, BOTTOM . . . (SILVER)	
4	4-995-429-11	KNOB (SYNC) . . . (BLUE) (AEP,FR,UK,HK,JEW)		10	X-4949-123-1	PANEL (B) ASSY, BOTTOM . . . (BLUE) (AEP,FR,UK,HK,JEW)	
5	4-986-189-11	BUTTDN (DISP) . . . (SILVER)		11	3-938-805-41	KNOB (DOLBY) . . . (SILVER)	
5	4-986-189-21	BUTTON (DISP) . . . (BLUE) (AEP,FR,UK,HK,JEW)		1	3-938-805-51	KNOB (DOLBY) . . . (BLUE) (AEP,FR,UK,HK,JEW)	
6	X-4950-040-1	PANEL (S) ASSY, UPPER . . . (SILVER)		* 12	4-988-279-01	CUSHION (LCD) (AEP,FR,UK,HK,JEW)	
6	X-4950-041-1	PANEL (B) ASSY, UPPER . . . (BLUE) (AEP,FR,UK,HK,JEW)					
7	4-963-883-41	SCREW (M1.4), PRECISION PAN					

7-2. CHASSIS SECTION



Ref.o	Part No.	Description	Remark	Ref.o	Part No.	Description	Remark
51	X-4949-I 16-I	CASE ASSY, BATTERY		64	4-995-434-01	HOLDER (DIAL)	
52	1-782-709-I 1	WIRE (FLAT TYPE) (22 CORE)		65	1-475-378-I 1	SWITCH UNIT (WITH JOG DIAL)	
53	A-3293-759-A	SWITCH BOARD, COMPLETE		66	4-963-883-41	SCREW (M1.4), PRECISION PAN	
54	3-335-797-91	SCREW (M1.4), TOOTHED LOCK		67	4-995-432-01	HINGE, BATTERY	
55	A-3293-758-A	POWER BOARD, COMPLETE		68	4-972-529-I 1	KNOB (HOLO) . . . (SILVER)	
56	4-964-015-31	KNOB (OPEN)		68	4-972-529-21	KNOB (HOLD) . . . (BLUE) (AEP,FR,UK,HK,JEW)	
57	X-4949-660-1	BELT (S) ASSY . . . (SILVER)		69	4-995-431-01	LID, BATTERY CASE . . . (SILVER)	
57	X-4949-661 -1	BELT (B) ASSY . . . (BLUE)(AEP,FR,UK,HK,JEW)		69	4-995-431-11	LID, BATTERY CASE . . . (BLUE) (AEP,FR,UK,HK,JEW)	
58	4-995-402-01	SPRING (LOCK), TENSION		70	4-995-437-01	SCREW (DAMPER)	
59	4-995-435-01	DAMPER (R50)		71	3-349-825-52	SCREW, PRECISION	
60	x-4949-i 14-I	CHASSIS (MAIN) ASSY		72	4-017-441-01	CUSHION (B) (AEP,UK,HK,JEW)	
61	A-3293-760-A	MAIN BOARD, COMPLETE (EXCEPT FR)		74	4-998-368-01	SHEET (OPEN) (AEP,UK,HK,JEW)	
61	A-3293-884-A	MAIN BOARD, COMPLETE (FR)		75	4-997-493-01	SPRING (LOCK), COMPRESSION	
62	4-995-436-01	SCREW (HP), STEP					
63	4-984-017-21	SCREW (1.7), TAPPING					

7-3. MECHANISM DECK SECTION
(MT-MZR50-143)



<p>The components identified by mark Δ or dotted line with mark Δ are critical for safety. Replace only with part number specified.</p>	<p>Les composants identifiés par une marque Δ sont critiques pour la sécurité. Ne les remplacer que par une pièce portant le numéro spécifié.</p>
---	---

Ref. No.	Part No.	Description	Remark	Ref. No.	Part No.	Description	Remark
101	I-667-210-11	MD FLEXIBLE BOARD		121	4-963-883-41	SCREW (M1.4), PRECISION PAN	
102	4-963-883-01	SCREW (M1.4), PRECISION PAN		122	4-995-580-01	SCREW, LEAD	
103	A-3293-756-A	CLVBOARD, COMPLETE		123	4-995-586-01	GEAR (SD)	
104	I-667-690-11	CLV FLEXIBLE BOARD		124	4-972-546-01	SPRING (WORM GEAR), COMPRESSION	
105	3-338-645-31	WASHER (0.8-2.5)		125	4-963-901-01	GEAR, WORM	
106	X-4949-129-1	HOLDER ASSY		126	3-315-384-11	WASHER, STOPPER	
107	3-349-825-41	SCREW		127	4-964-564-01	SCREW (M1.2X1.6)	
108	A-3293-755-A	REC BOARD, COMPLETE		128	X-4949-127-1	CHASSIS ASSY, GEAR	
109	4-995-575-01	SHEET, INSULATING		129	X-4949-126-1	CHASSIS ASSY	
110	4-995-573-01	SPRING, TENSION		130	4-995-585-01	SPRING (LIMITTER), TORSION	
111	3-704-246-13	SCREW (P1.4X2.0)		131	4-963-898-11	GEAR (WORM WHEEL)	
* 112	4-995-568-01	GUIDE, HOLDER		132	3-704-197-31	SCREW (M1.4X3.0), LOCKING	
113	4-995-572-01	SHEET, BLIND		133	3-015-033-01	SCREW (DIA. 1.4X4), PRECISION	
114	4-955-841-01	SCREW		134	4-997-228-11	SPACER (RACKSPRING)	
115	4-995-570-01	SPRING, RACK		135	4-997-172-01	SCREW (M1.4X3)	
116	4-995-567-01	SHAFT, MAIN		136	I-667-211-11	MOTOR FLEXIBLE BOARD	
Δ 117	X-4949-256-i	OPTICAL PICK-UP ASSY (KMS-280A)		M901	I-763-011-11	MOTOR (SPINDLE)	
118	4-995-578-01	GEAR (SC)		M902	A-3311-972-A	MOTOR BLOCK ASSY, SLED (SLED)	
119	X-4949-131-2	BRACKET(S) ASSY		M903	A-3320-037-A	STEPPER BLOCK ASSY (STTEPPING)	
120	4-995-571-01	SPRING, THRUST					

**SECTION 8
ELECTRICAL PARTS LIST**

NOTE:

. Due to standardization, replacements in the parts list may be different from the parts specified in the diagrams or the components used on the set.
 . -XX, -X mean standardized parts, so they may have some difference from the original one.
RESISTORS
 All resistors are in ohms
 METAL : Metal-film resistor
 METAL OXIDE :Metal oxide-film resistor
 F : nonflammable
 . Items marked " * " are not stocked since they are seldom required for routine service. Some delay should be anticipated when ordering these items.

SEMICONDUCTORS
 In each case, u : μ , for example :
 uA : μ A ... , uPA : μ PA ...
 uPB : μ PB ... , uPC : μ PC ...
 uPD : μ PD ...
CAPACITORS
 uF : μ F
COILS
 uH : μ H
 . Abbreviation
 AUS : Australian
 HK : Hong Kong
 JEW : Tourist
 FR : French

The components identified by mark Δ or dotted line with mark **A** are critical for safety.
 Replace only with part number specified.

Les composants identifiés par une marque **A** sont critiques pour la sécurité. Ne les remplacer que par une pièce portant le numéro spécifié.

When indicating parts by reference number, please include the board.

Ref. No.	Part No.	Description	Remark
	A-3293-756-A	CLV BOARD,COMPLETE *****	
< CAPACITOR >			
C701	I-164-227-11	CERAMICCHIP 0.022uF 10%	25V
C702	I-165-176-11	CERAMIC CHIP 0.047uF 10%	16V
C703	I-164-227-11	CERAMIC CHIP 0.022uF 10%	25v
C704	I-107-826-11	CERAMIC CHIP 0.1uF 10%	16V
C705	I-162-967-11	CERAMICCHIP 0.0033uF 10%	50V
C706	I-162-967-11	CERAMIC CHIP 0.0033uF 10%	50v
C707	I-162-967-11	CERAMIC CHIP 0.0033uF 10%	50v
C709	I-107-826-11	CERAMIC CHIP 0.1uF 10%	16V
C710	I-109-982-11	CERAMIC CHIP 1uF 10%	10V
C711	I-107-826-11	CERAMICCHIP 0.1uF 10%	16V
< CONNECTOR >			
CN701	I-573-927-11	CONNECTOR, FFC/FPC (ZIF) 18P	
CN702	I-573-915-11	CONNECTOR, FFC/FPC (ZIF) 6P	
< IC >			
IC701	8-759-335-44	IC CXA8048N	
< TRANSISTOR >			
Q703	8-729-427-83	TRANSISTOR XP6501	
< RESISTOR >			
R701	I-218-871-11	RES,CHIP 10K 0.50% 1/16W	
R702	I-218-871-11	RES,CHIP 10K 0.50% 1/16W	
R703	I-216-815-11	METALCHIP 330 5% 1/16W	
R704	I-217-671-11	METALCHIP 1 5% 1/10W	
R705	I-217-671-11	METAL CHIP 1 5% 1/10W	
R706	I-216-833-11	METALCHIP 10K 5% 1/16W	
R711	I-216-864-11	METALCHIP 0 5% 1/16W	
< SWITCH >			
S701	I-762-805-41	SWITCH, PUSH (1 KEY) (MEDIA)	
S702	I-762-835-11	SWITCH, PUSH (1 KEY) (PROTECT)	
S703	I-762-805-41	SWITCH, PUSH (1 KEY) (REFLECT)	
S704	I-771-092-21	SWITCH, PUSH (1 KEY) (INITIAL)	
S705	I-572-467-61	SWITCH, PUSH (1 KEY) (INLIMIT)	

Ref. No.	Part No.	Description	Remark
	A-3293-760-A	MAIN BOARD,COMPLETE (EXCEPTFR)	
	A-3293-884-A	MAIN BOARD,COMPLETE (FR) *****	
< CAPACITOR >			
C101	I-162-966-11	CERAMIC CHIP 0.0022uF 10%	50v
C102	I-162-927-11	CERAMICCHIP 100PF 5%	50v
C103	I-135-337-11	TANTAL. CHIP 1uF 20%	6.3V
C104	I-162-964-11	CERAMIC CHIP 0.001uF 10%	50v
C105	I-164-217-11	CERAMICCHIP 150PF 5%	50V
C106	I-110-569-11	TANTAL. CHIP 47uF 20%	6.3V
C107	I-117-919-11	TANTAL. CHIP 10uF 20%	6.3V
C108	I-119-660-11	TANTAL. CHIP 4.7uF 20%	6.3V
C109	I-117-919-11	TANTAL. CHIP 10uF 20%	6.3V
C110	I-135-337-11	TANTAL. CHIP 1uF 20%	6.3V
C117	I-119-660-11	TANTAL. CHIP 4.7uF 20%	6.3V
C118	I-164-156-11	CERAMICCHIP 0.1uF 25V	
C120	I-107-823-11	CERAMICCHIP 0.47uF 10%	16V
C121	I-109-982-11	CERAMIC CHIP 1uF 10%	10V
C122	I-162-957-11	CERAMIC CHIP 220PF 5%	50v
C123	I-117-919-11	TANTAL. CHIP 10uF 20%	6.3V
C124	I-165-128-11	CERAMIC CHIP 0.22uF 16V	
C125	I-162-964-11	CERAMICCHIP 0.001uF 10%	50v
C131	I-119-660-11	TANTAL. CHIP 4.7uF 20%	6.3V
C140	I-117-919-11	TANTAL. CHIP 10uF 20%	6.3V
C161	I-162-961-11	CERAMIC CHIP 330PF 10%	50V (FR)
C161	I-162-963-11	CERAMICCHIP 680PF 10%	50v (EXCEPTFR)
C168	I-109-982-11	CERAMIC CHIP 1uF 10%	10V
C201	I-162-966-11	CERAMIC CHIP 0.0022uF 10%	50v
C202	I-162-927-11	CERAMICCHIP 100PF 5%	50V
C203	I-135-337-11	TANTAL.CHIP 1uF 20%	6.3V
C204	I-162-964-11	CERAMICCHIP 0.001uF 10%	50v
C205	I-164-217-11	CERAMICCHIP 150PF 5%	50v
C206	I-110-569-11	TANTAL.CHIP 47uF 20%	6.3V
C207	I-117-919-11	TANTAL. CHIP 10uF 20%	6.3V
C208	I-119-660-11	TANTAL. CHIP 4.7uF 20%	6.3V
C209	I-117-919-11	TANTAL. CHIP 10uF 20%	6.3V
C210	I-135-337-11	TANTAL. CHIP 1uF 20%	6.3V
C217	I-119-660-11	TANTAL. CHIP 4.7uF 20%	6.3V
C218	I-164-156-11	CERAMICCHIP 0.1uF 25V	

Ref. No.	Part No.	Description	Remark	Ref. No.	Part No.	Description	Remark
C220	I-107-823-11	CERAMIC CHIP 0.47uF	10% 16V	C521	I-164-677-11	CERAMICCHIP 0.033uF	10% 16V
c221	I-109-982-11	CERAMIC CHIP 1uF	10% 10V	c522	i-162-970-11	CERAMIC CHIP 0.01uF	10% 25v
c222	I-162-957-11	CERAMIC CHIP 220PF	5% 50V	C524	1-164-156-11	CERAMIC CHIP 0.1uF	25V
C223	1-117-919-11	TANTAL. CHIP 10uF	20% 6.3V	C525	I-104-852-11	TANTAL. CHIP 22uF	20% 6.3V
C224	1-165-128-11	CERAMIC CHIP 0.22uF	16V				
				c529	I-162-970-11	CERAMIC CHIP 0.01uF	10% 25v
C225	i-162-964-11	CERAMIC CHIP 0.001 UF	10% 5ov	C530	I-107-823-11	CERAMIC CHIP 0.47uF	10% 16V
C231	I-119-660-11	TANTAL. CHIP 4.7uF	20% 6.3V	C531	I-162-927-11	CERAMICCHIP 100PF	5% 5ov
C240	1-117-919-11	TANTAL. CHIP 10uF	20% 6.3V	C532	I-162-967-11	CERAMICCHIP 0.0033uF	10% 5ov
C261	I-162-961-11	CERAMIC CHIP 330PF	10% 50V	c533	I-107-826-11	CERAMIC CHIP 0.1uF	10% 16V
			(FR)				
C261	i-162-963-11	CERAMICCHIP 680PF	10% 5ov (EXCEPT FR)	c534	I-107-826-11	CERAMIC CHIP 0.1uF	10% 16V
				C536	I-164-156-11	CERAMIC CHIP 0.1uF	25V
C268	I-109-982-11	CERAMIC CHIP 1uF	10% 10V	c537	1-104-908-11	TANTAL. CHIP 47uF	20% 4 v
c292	1-119-660-11	TANTAL. CHIP 4.7uF	20% 6.3V	C538	I-107-826-11	CERAMIC CHIP 0.1uF	10% 16V
c293	I-104-912-11	TANTAL. CHIP 3.3uF	20% 6.3V	c541	i-162-917-1	CERAMICCHIP 15PF	5% 5ov
c294	I-104-847-11	TANTAL. CHIP 22uF	20% 4v				
c295	1-119-660-11	TANTAL. CHIP 4.7uF	20% 6.3V	C542	1-162-917-1	CERAMICCHIP 15PF	5% 5ov
				c544	1-164-156-1	CERAMIC CHIP 0.1uF	25V
C296	I-107-826-11	CERAMIC CHIP 0.1uF	10% 16V	c545	I-104-852-1	TANTAL. CHIP 22uF	20% 10V
C301	I-164-156-11	CERAMIC CHIP 0.1uF	25V	c547	I-104-912-1	TANTAL. CHIP 3.3uF	20% 16V
C303	1-117-919-11	TANTAL. CHIP 10uF	20% 6.3V	C548	1-104-912-1	TANTAL. CHIP 3.3uF	20% 16V
C305	1-110-569-11	TANTAL. CHIP 47uF	20% 6.3V				
C306	I-162-964-11	CERAMICCHIP 0.001uF	10% 5ov	c549	I-113-682-11	TANTAL. CHIP 33uF	20% 10V
c307	I-164-156-11	CERAMIC CHIP 0.1uF	25V	C550	I-113-682-11	TANTAL. CHIP 33uF	20% 10V
				C551	1-104-912-11	TANTAL. CHIP 3.3uF	20% 16V
C308	I-164-156-11	CERAMIC CHIP 0.1uF	25v	C552	1-104-912-11	TANTAL. CHIP 3.3uF	20% 16V
C310	I-164-361-11	CERAMIC CHIP 0.047uF	16V	c553	I-113-682-11	TANTAL. CHIP 33uF	20% 10V
C311	I-164-156-11	CERAMIC CHIP 0.1uF	25V				
c314	1-119-660-11	TANTAL. CHIP 4.7uF	20% 6.3V	c554	1-104-913-11	TANTAL. CHIP 10uF	20% 16V
C315	I-162-964-11	CERAMICCHIP 0.001uF	10% 50V	c555	I-164-156-11	CERAMICCHIP 0.1uF	25v
				c559	I-162-962-11	CERAMICCHIP 470PF	10% 50V
C318	I-164-156-11	CERAMICCHIP 0.1uF	25V	C560	1-165-176-11	CERAMICCHIP 0.047uF	10% 16V
C319	1-117-919-11	TANTAL. CHIP 10uF	20% 6.3V	C561	1-165-176-11	CERAMICCHIP 0.047uF	10% 16V
C320	I-164-156-11	CERAMIC CHIP 0.1uF	25V				
C321	1-110-569-11	TANTAL. CHIP 47uF	20% 6.3V	C562	I-104-852-11	TANTAL. CHIP 22uF	20% 10V
C322	1-117-919-11	TANTAL. CHIP 10uF	20% 6.3V	C563	I-109-982-11	CERAMIC CHIP 1uF	10% 10V
				C564	I-162-967-11	CERAMIC CHIP 0.0033uF	10% 5ov
C327	I-104-852-11	TANTAL. CHIP 22uF	20% 6.3V	C565	I-135-180-21	TANTALUM CHIP 3.3uF	20% 6.3V
C338	I-109-982-11	CERAMIC CHIP 1uF	10% 10V	C566	I-162-970-11	CERAMICCHIP 0.01uF	10% 25V
c345	1-119-661-11	TANTAL. CHIP 33uF	20% 6.3V				
C346	1-117-919-11	TANTAL. CHIP 10uF	20% 6.3V	C567	I-107-826-11	CERAMIC CHIP 0.1uF	10% 16V
c359	I-162-964-11	CERAMICCHIP 0.001uF	10% 5ov	C569	I-164-227-11	CERAMICCHIP 0.022uF	10% 25V
				C570	1-119-661-11	TANTAL. CHIP 33uF	20% 6.3V
C365	1-117-919-11	TANTAL. CHIP 10uF	20% 6.3V	c571	1-119-661-11	TANTAL. CHIP 33uF	20% 6.3V
C366	I-164-156-11	CERAMIC CHIP 0.1uF	25V	c574	1-162-970-11	CERAMICCHIP 0.01uF	10% 25V
C368	I-162-964-11	CERAMIC CHIP 0.001uF	10% 50V				
C369	I-164-156-11	CERAMIC CHIP 0.1uF	25V	c714	I-117-919-11	TANTAL. CHIP 10uF	20% 6.3V
c392	I-164-156-11	CERAMIC CHIP 0.1uF	25V	C716	1-117-919-11	TANTAL. CHIP 10uF	20% 6.3V
c394	i-162-964-11	CERAMIC CHIP 0.001uF	10% 5ov	C811	1-164-677-11	CERAMIC CHIP 0.033uF	10% 16V
				C812	I-162-970-11	CERAMIC CHIP 0.01uF	10% 25V
c399	I-107-816-11	TANTAL. CHIP 0.68uF	20% 10V	C813	I-162-964-11	CERAMIC CHIP 0.001uF	10% 5ov
C501	I-115-169-11	TANTALUM 10uF	20% 6.3V				
C504	1-117-919-11	TANTAL. CHIP 10uF	20% 6.3V	C814	I-162-970-11	CERAMIC CHIP 0.01uF	10% 25V
C505	1-117-919-11	TANTAL. CHIP 10uF	20% 6.3V	C815	1-162-970-11	CERAMIC CHIP 0.01uF	10% 25V
C506	I-162-965-11	CERAMIC CHIP 0.0015uF	10% 50V	C816	I-164-156-11	CERAMIC CHIP 0.1uF	25V
				C817	1-162-970-11	CERAMIC CHIP 0.01uF	10% 25V
C507	I-107-826-11	CERAMIC CHIP 0.1uF	10% 16V	C818	1-164-156-11	CERAMIC CHIP 0.1uF	25V
C508	I-162-969-11	CERAMIC CHIP 0.0068uF	10% 25V				
C509	t-115-467-11	CERAMIC CHIP 0.22uF	10% 10V	C819	1-164-156-11	CERAMICCHIP 0.1uF	25V
C510	I-162-968-11	CERAMICCHIP 0.0047uF	10% 5ov	C820	i-162-970-11	CERAMICCHIP 0.01uF	10% 25V
C511	I-162-966-11	CERAMICCHIP 0.0022uF	10% 50V	C821	I-162-927-11	CERAMIC CHIP 100PF	5% 5ov
				C822	I-162-927-11	CERAMIC CHIP 100PF	5% 50V
C512	I-162-970-11	CERAMIC CHIP 0.01uF	10% 25V	C824	1-164-156-11	CERAMICCHIP 0.1uF	25V
c513	1-162-970-11	CERAMIC CHIP 0.01uF	10% 25V				
C515	1-119-661-11	TANTAL. CHIP 33uF	20% 6.3V	C825	I-162-970-11	CERAMICCHIP 0.01uF	10% 25V
C517	I-107-826-11	CERAMIC CHIP 0.1uF	10% 16V	C826	i-162-970-11	CERAMIC CHIP 0.01uF	10% 25V
C518	I-162-970-11	CERAMICCHIP 0.01uF	10% 25V	6827	I-162-970-11	CERAMIC CHIP 0.01uF	10% 25V
				C828	I-162-970-11	CERAMIC CHIP 0.01uF	10% 25V
C519	I-109-982-11	CERAMIC CHIP 1uF	10% 10V				

MAIN

Ref. No.	Part No.	Description	Remark	Ref. No.	Part No.	Description	Remark
C829	I-109-982-11	CERAMICCHIP 1uF	10%	10V	IC509	B-759-487-11 IC MB81V16405B-60PFTN-2.8	
C830	1-110-569-11	TANTAL. CHIP 47uF	20%	6.3V	IC510	8-759-487-20 IC PST9330UL	
C831	1-104-852-11	TANTAL.CHIP 22uF	20%	10V	IC702	8-759-482-07 IC MPC17A28SVMEL	
C833	1-164-156-11	CERAMIC CHIP 0.1uF		25v	IC801	8-752-894-67 IC CXP81960M-652R	
ca34	I-162-927-11	CERAMICCHIP 100PF	5%	5ov	IC802	e-759-343-90 IC RS5RJ29261	
C835	I-162-927-11	CERAMICCHIP 100PF	5%	5ov	IC803	8-759-332-25 IC XC31PNS01AMR	
C836	1-162-964-11	CERAMIC CHIP 0.001uF	10%	50V	IC804	8-759-343-88 IC DS1302Z	
C839	I-110-569-11	TANTAL. CHIP 47uF	20%	6.3V	IC805	8-759-497-20 IC LA4800V-S-TLM	
C851	I-162-970-11	CERAMIC CHIP 0.01uF	10%	25V	IC807	8-759-457-68 IC AK93C45AV-L	
C861	I-109-982-11	CERAMICCHIP 1uF	10%	10V	IC909	8-759-482-08 IC XC62EP4201MR	
C862	1-162-970-11	CERAMIC CHIP 0.01uF	10%	25V		< JACK >	
C899	I-251-641-11	ELEMENT,STORAGE			J301	1-779-881-21 JACK (MIC PLUG IN POWER)	
C901	I-107-826-11	CERAMIC CHIP 0.1uF	10%	16V	J302	1-778-179-11 JACK (⊘/REMOTE)	
C904	I-162-970-11	CERAMICCHIP 0.01uF	10%	25V	J303	1-779-881-11 JACK (LINE OUT)	
C908	I-162-970-11	CERAMIC CHIP 0.01uF	10%	25V	J304	8-749-014-07 IC GP1F565R (LINE IN OPTICAL)	
C910	I-162-970-11	CERAMICCHIP 0.01uF	10%	25V	J901	I-779-880-11 JACK,DC (POLARITY UNIFIEDTYPE)	(DC IN 6V)
C913	I-135-213-21	TANTAL. CHIP 3.3uF	20%	25V		< COIL >	
C914	I-104-852-11	TANTAL. CHIP 22uF	20%	10V	L303	1-414-398-11 INDUCTOR 10uH	
C990	I-162-970-11	CERAMIC CHIP 0.01uF	10%	25V	L304	1-414-398-11 INDUCTOR 10uH	
		< CONNECTOR >			L501	1-414-398-11 INDUCTOR 10uH	
CN501	1-573-931-11	CONNECTOR, FFC/FPC (ZIF) 22P			L502	1-414-398-11 INDUCTOR 10uH	
CN502	1-573-362-11	CONNECTOR, FFC/FPC 22P			L504	1-414-410-21 INDUCTOR 10uH	
* CN801	I-778-170-11	CONNECTOR, FFC/FPC (ZIF) 22P			L505	I-412-034-11 INDUCTOR CHIP 330uH	
* CN802	I-778-157-11	CONNECTDR, FFC/FPC (ZIF) 9P			L506	I-414-402-11 INDUCTOR 47uH	
CN803	I-573-921-11	CONNECTOR, FFC/FPC (ZIF) 13P			L507	I-414-402-11 INDUCTOR 47uH	
		< DIODE >			L508	I-414-402-11 INDUCTOR 47uH	
D301	8-719-158-15	DIODE RD5.6S-B			L509	I-414-402-11 INDUCTOR 47uH	
D302	8-719-066-17	DIODE FTZ6.8E-T148			L510	1-414-410-21 INDUCTOR 10uH	
D303	8-719-066-17	DIODE FTZ6.8E-T148			L511	I-414-402-11 INDUCTOR 47uH	
D308	8-719-045-67	DIODE RB731U-T108			L512	I-416-436-11 INDUCTOR 68uH	
D501	8-719-421-27	DIODE MA728			L513	1-414-398-11 INDUCTOR 10uH	
D502	8-719-421-27	DIODE MA728			L514	I-412-034-11 INDUCTOR CHIP 330uH	
D804	8-719-045-67	DIODE RB731U-T108			L801	I-414-402-11 INDUCTOR 47uH	
D805	8-719-421-27	DIODE MA728				< LINE FILTER >	
0806	8-719-421-27	DIODE MA728			LF901	I-416-405-21 FILTER, CHIP EMI (COMMON MODE)	
D807	8-719-421-27	DIODE MA728				< TRANSISTOR >	
D808	8-719-047-73	DIODE HRU0302A-TR			Q101	s-729-013-37 TRANSISTOR 2SC4213-AB-TE85L	
D809	8-719-421-27	DIODE MA728			Q102	8-729-013-37 TRANSISTOR 2SC4213-AB-TE85L	
D903	a-719-158-15	DIODE RD5.6S-B			Q201	a-729-013-37 TRANSISTOR 2SC4213-AB-TE85L	
D905	a-719-066-16	DIODE RB491D-T146			0202	8-729-013-37 TRANSISTOR 2SC4213-AB-TE85L	
		< FERRITE BEAD >			0301	8-729-028-91 TRANSISTOR DTA144EUA-T106	
FB311	1-500-444-1-I	INDUCTOR 0UH			Q302	8-729-023-89 TRANSISTOR 2SJ305(TE85L)	
FB314	I-500-444-11	INDUCTOR 0UH			Q309	8-729-930-00 TRANSISTOR UMD2	
		< IC >			Q311	8-729-930-00 TRANSISTOR UMD2	
IC301	8-759-482-09	IC RN5RZ25BA-TL			Q312	a-729-026-53 TRANSISTOR 2SA1576A-T106-QR	
IC302	8-759-252-90	IC TLV2362IPW-ELM1500			Q313	8-729-929-80 TRANSISTOR UMB2	
IC303	8-759-439-74	IC AK4515-VQ			Q314	8-729-929-80 TRANSISTOR UMB2	
IC304	8-759-252-90	IC TLV2362IPW-ELM1500			Q502	8-729-422-39 TRANSISTOR XN4404	
IC305	8-759-481-66	IC DS1801E-014TE2			Q503	8-729-930-13 TRANSISTOR UMH2	
IC306	8-759-487-19	IC PST9322UL			Q504	8-729-019-25 TRANSISTOR 2SK1467-TD	
IC501	8-752-080-95	IC CXA2523AR-T4			Q505	8-729-930-00 TRANSISTOR UMD2	
IC503	8-752-384-47	IC CXD2652AR			Q801	a-729-930-00 TRANSISTOR UMD2	
IC505	8-759-460-34	IC MPC17A36VMEL			Q806	8-729-031-34 TRANSISTOR 2SK2034	
IC506	8-759-329-43	IC MPC18A20VM					

Ref. No.	Part No.	Description	Remark	Ref. No.	Part No.	Description	Remark
Q810	g-729-905-35	TRANSISTOR 2SC4081-R		R310	1-216-837-11	METAL CHIP 22K	5% 1/16W
Q811	8-729-927-62	TRANSISTOR UMX1		R352	1-500-444-11	INDUCTOR 0uH	
Q901	g-729-042-81	TRANSISTOR FZT788BTC		R355	1-216-847-11	METAL CHIP 150K	5% 1/16W
Q902	g-729-026-53	TRANSISTOR 2SA1576A-T106-QR		R359	1-500-444-11	INDUCTOR 0uH	
Q903	a-729-029-14	TRANSISTOR DTC144EUA-T106		R361	1-216-825-11	METALCHIP 2.2K	5% 1/16W
Q904	g-729-042-81	TRANSISTOR FZT788BTC		R364	1-216-789-11	METAL CHIP 2.2	5% 1/16W
Q910	g-729-905-35	TRANSISTOR 2SC4081-R		R365	1-216-809-11	METALCHIP 100	5% 1/16W
< RESISTOR >				R374	1-216-845-11	METALCHIP 100K	5% 1/16W
R101	1-218-867-11	RES,CHIP 6.8K	0.50% 1/16W	R380	1-216-809-11	METALCHIP 100	5% 1/16W
R103	1-218-867-11	RES,CHIP 6.8K	0.50% 1/16W	R381	1-216-809-11	METALCHIP 100	5% 1/16W
R105	1-216-837-11	METALCHIP 22K	5% 1/16W	R501	1-216-835-11	METALCHIP 15K	5% 1/16W
R107	1-218-883-11	RES,CHIP 33K	0.50% 1/16W	R502	1-216-835-11	METAL CHIP 15K	5% 1/16W
R108	1-218-843-11	RES,CHIP 680	0.50% 1/16W	R503	1-216-831-11	METALCHIP 6.8K	5% 1/16W
R111	1-218-891-11	RES,CHIP 68K	0.50% 1/16W	R504	1-216-859-11	RES,CHIP 1.5M	5% 1/16W
R112	1-218-887-11	RES,CHIP 47K	0.50% 1/16W	R505	1-218-446-11	METALCHIP 1	5% 1/16W
R119	1-216-789-11	METALCHIP 2.2	5% 1/16W	R506	1-216-811-11	METALCHIP 150	5% 1/16W
R121	1-218-891-11	RES,CHIP 68K	0.50% 1/16W	R507	1-216-833-11	METALCHIP 10K	5% 1/16W
R122	1-218-875-11	RES,CHIP 15K	0.50% 1/16W	R508	1-216-817-11	METALCHIP 470	5% 1/16W
R123	1-218-855-11	RES,CHIP 2.2K	0.50% 1/16W	R509	1-216-853-11	METAL CHIP 470K	5% 1/16W
R124	1-216-835-11	METALCHIP 15K	5% 1/16W	R510	1-216-825-11	METALCHIP 2.2K	5% 1/16W
R134	1-216-821-11	METALCHIP 1K	5% 1/16W	R511	1-216-825-11	METALCHIP 2.2K	5% 1/16W
R136	1-218-879-11	RES,CHIP 22K	0.50% 1/16W	R512	1-216-825-11	METALCHIP 2.2K	5% 1/16W
R136	1-218-871-11	RES,CHIP 10K	0.50% 1/16W (EXCEPTFR)	R513	1-216-843-11	METALCHIP 68K	5% 1/16W
R137	1-216-827-11	METALCHIP 3.3K	5% 1/16W	R514	1-216-864-11	METALCHIP 0	5% 1/16W
R141	1-216-833-11	METALCHIP 10K	5% 1/16W	R515	1-216-864-11	METALCHIP 0	5% 1/16W
R144	1-500-444-11	INDUCTOR 0uH		R516	1-216-821-11	METALCHIP 1K	5% 1/16W
R159	1-500-444-11	INDUCTOR 0uH		R517	1-216-803-11	METALCHIP 33	5% 1/16W
R160	1-216-857-11	METALCHIP 1M	5% 1/16W	R520	1-216-841-11	METALCHIP 47K	5% 1/16W
R201	1-218-867-11	RES,CHIP 6.8K	0.50% 1/16W	R521	1-500-444-11	INDUCTOR 0uH	
R203	1-218-867-11	RES,CHIP 6.8K	0.50% 1/16W	R525	1-216-845-11	METAL CHIP 100K	5% 1/16W
R205	1-216-837-11	METALCHIP 22K	5% 1/16W	R526	1-216-853-11	METALCHIP 470K	5% 1/16W
R207	1-218-883-11	RES,CHIP 33K	0.50% 1/16W	R527	1-216-833-11	METALCHIP 10K	5% 1/16W
R208	1-218-843-11	RES,CHIP 680	0.50% 1/16W	R528	1-216-821-11	METALCHIP 1K	5% 1/16W
R211	1-218-891-11	RES,CHIP 68K	0.50% 1/16W	R529	1-216-821-11	METALCHIP 1K	5% 1/16W
R212	1-218-887-11	RES,CHIP 47K	0.50% 1/16W	R530	1-216-827-11	METALCHIP 3.3K	5% 1/16W
R219	1-216-789-11	METALCHIP 2.2	5% 1/16W	R531	1-216-845-11	METALCHIP 100K	5% 1/16W
R221	1-218-891-11	RES,CHIP 68K	0.50% 1/16W	R536	1-218-891-11	RES,CHIP 68K	0.50% 1/16W
R222	1-218-875-11	RES,CHIP 15K	0.50% 1/16W	R537	1-218-899-11	RES,CHIP 150K	0.50% 1/16W
R223	1-218-855-11	RES,CHIP 2.2K	0.50% 1/16W	R538	1-218-895-11	RES,CHIP 100K	0.50% 1/16W
R224	1-216-835-11	METALCHIP 15K	5% 1/16W	R539	1-216-833-11	METALCHIP 10K	5% 1/16W
R234	1-216-821-11	METALCHIP 1K	5% 1/16W	R540	1-216-857-11	METALCHIP 1M	5% 1/16W
R236	1-218-879-11	RES,CHIP 22K	0.50% 1/16W	R541	1-216-843-11	METALCHIP 68K	5% 1/16W
R236	1-218-871-11	RES,CHIP 10K	0.50% 1/16W (EXCEPTFR)	R542	1-218-903-11	RES,CHIP 220K	0.50% 1/16W
R237	1-216-827-11	METALCHIP 3.3K	5% 1/16W	R543	1-218-887-11	RES,CHIP 47K	0.50% 1/16W
R241	1-216-833-11	METALCHIP 10K	5% 1/16W	R545	1-216-845-11	METALCHIP 100K	5% 1/16W
R244	1-500-444-11	INDUCTOR 0uH		R546	1-216-841-11	METALCHIP 47K	5% 1/16W
R259	1-500-444-11	INDUCTOR 0uH		R549	1-216-845-11	METALCHIP 100K	5% 1/16W
R260	1-216-857-11	METALCHIP 1M	5% 1/16W	R554	1-216-821-11	METALCHIP 1K	5% 1/16W
R302	1-216-825-11	METALCHIP 2.2K	5% 1/16W	R555	1-216-817-11	METALCHIP 470	5% 1/16W
R306	1-216-797-11	METALCHIP 10	5% 1/16W	R559	1-216-811-11	METALCHIP 150	5% 1/16W
R307	1-216-825-11	METALCHIP 2.2K	5% 1/16W	R562	1-218-887-11	RES,CHIP 47K	0.50% 1/16W
R308	1-216-825-11	METALCHIP 2.2K	5% 1/16W	R563	1-216-833-11	METALCHIP 10K	5% 1/16W
R309	1-216-809-11	METALCHIP 100	5% 1/16W	R564	1-216-843-11	METALCHIP 68K	5% 1/16W
				R565	1-216-845-11	METALCHIP 100K	5% 1/16W
				R566	1-216-841-11	METALCHIP 47K	5% 1/16W
				R576	1-216-813-11	METAL CHIP 220	5% 1/16W
				R710	1-216-819-11	METALCHIP 680	5% 1/16W

MAIN POWER

Ref. No.	Part No.	Description			Remark
R802	I-216-851-11	METALCHIP	330K	5%	1/16W
R803	I-216-857-11	METALCHIP	1M	5%	1/16W
R816	I-216-851-11	METALCHIP	330K	5%	1/16W
R817	I-216-851-11	METALCHIP	330K	5%	1/16W
R818	I-216-857-11	METALCHIP	1M	5%	1/16W
R820	I-218-887-11	RES,CHIP	47K	0.50%	1/16W
R821	I-218-887-11	RES,CHIP	47K	0.50%	1/16W
R822	I-218-887-11	RES,CHIP	47K	0.50%	1/16W
R825	I-216-851-11	METALCHIP	330K	5%	1/16W
R826	I-216-857-11	METALCHIP	1M	5%	1/16W
R827	I-216-864-11	METALCHIP	0	5%	1/16W
R828	I-218-911-11	RES,CHIP	470K	0.50%	1/16W
R829	I-218-899-11	RES,CHIP	150K	0.50%	1/16W
R830	I-216-851-11	METALCHIP	330K	5%	1/16W
R831	I-216-857-11	METALCHIP	1M	5%	1/16W
R833	I-216-857-11	METALCHIP	1M	5%	1/16W
R834	I-216-857-11	METALCHIP	1M	5%	1/16W
R836	I-218-871-11	RES,CHIP	10K	0.50%	1/16W
R837	I-216-851-11	METALCHIP	330K	5%	1/16W
R838	I-218-887-11	RES,CHIP	47K	0.50%	1/16W
R839	I-218-871-11	RES,CHIP	10K	0.50%	1/16W
R840	I-218-879-11	RES,CHIP	22K	0.50%	1/16W
R846	I-218-875-11	RES,CHIP	15K	0.50%	1/16W
R847	I-216-845-11	METALCHIP	100K	5%	1/16W
R848	I-216-845-11	METAL CHIP	100K	5%	1/16W
R852	I-218-883-11	RES,CHIP	33K	0.50%	1/16W
R853	I-216-809-11	METALCHIP	100	5%	1/16W
R856	I-216-821-11	METAL CHIP	1K	5%	1/16W
R857	I-216-833-11	METALCHIP	10K	5%	1/16W
R861	I-216-857-11	METALCHIP	1M	5%	1/16W
R866	I-216-851-11	METALCHIP	330K	5%	1/16W
R868	I-216-845-11	METALCHIP	100K	5%	1/16W
R870	I-216-829-11	METALCHIP	4.7K	5%	1/16W
R873	I-216-829-11	METALCHIP	4.7K	5%	1/16W
R877	I-216-845-11	METALCHIP	100K	5%	1/16W
R878	I-216-833-11	METALCHIP	10K	5%	1/16W
R901	I-216-817-11	METALCHIP	470	5%	1/16W
R902	I-216-833-11	METALCHIP	10K	5%	1/16W
R903	I-216-853-11	METALCHIP	470K	5%	1/16W
R904	I-216-845-11	METALCHIP	100K	5%	1/16W
R905	I-216-809-11	METALCHIP	100	5%	1/16W
R906	I-216-841-11	METALCHIP	47K	5%	1/16W
R907	I-220-942-11	METALCHIP	3.3	1%	1/4W
R908	I-220-942-11	METALCHIP	3.3	1%	1/4W
R909	I-216-857-11	METALCHIP	1M	5%	1/16W
< COMPOSITION CIRCUIT BLOCK >					
RB301	1-233-971-11	RES, NETWORK (CHIP TYPE)	47K		
RB302	1-233-957-11	RES, NETWORK (CHIP TYPE)	220		
RB303	1-233-969-11	RES, NETWORK (CHIP TYPE)	22K		
RB801	1-233-979-11	RES, NETWORK (CHIP TYPE)	1M		
RB802	1-233-976-11	RES, NETWORK (CHIP TYPE)	330K		
RB803	1-233-965-11	RES, NETWORK (CHIP TYPE)	4.7K		
RB804	1-233-979-11	RES, NETWORK (CHIP TYPE)	1M		
RB805	1-233-976-11	RES, NETWORK (CHIP TYPE)	330K		
RB806	1-233-976-11	RES, NETWORK (CHIP TYPE)	330K		
RB807	1-233-979-11	RES, NETWORK (CHIP TYPE)	1M		

Ref. No.	Part No.	Description		Remark
RB808	1-233-973-11	RES, NETWORK (CHIP TYPE)	100K	
< SWITCH >				
S301	I-762-078-11	SWITCH, SLIDE (MIC SENS)		
sao4	1-771-091-21	SWITCH, PUSH (1 KEY) (REC →)		
S809	I-572-921-11	SWITCH, KEY BOARD (CLOCKSET)		
S810	I-692-088-11	SWITCH, TACTILE (DIGITAL MEGA BASS)		
S811	I-762-078-11	SWITCH, SLIDE (AVLS)		
S816	I-762-078-11	SWITCH, SLIDE (SYNCHRO REC)		
S817	I-762-805-21	SWITCH, PUSH (1 KEY) (DOOR OPEN)		
S823	1-572-467-41	SWITCH, PUSH (1 KEY) (OPEN →) (FR)		
S823	1-572-467-61	SWITCH, PUSH (1 KEY)(OPEN →)		(EXCEPTFR)
< THERMISTOR(POSITIVE) >				
THP901	I-771-075-21	THERMISTOR, POSITIVE		
< VIBRATOR >				
X501	I-767-722-21	VIBRATOR, CRYSTAL (22.5MHz)		
X801	I-760-174-31	VIBRATOR, CERAMIC (12MHz)		
X802	1-579-886-21	VIBRATOR, CRYSTAL (32kHz)		

A-3293-758-A POWER BOARD, COMPLETE				

< CAPACITOR >				
C801	1-117-720-11	CERAMIC CHIP	4.7uF	10V
cao2	1-107-826-11	CERAMIC CHIP	0.1uF	10% 16V
cao3	1-162-970-11	CERAMIC CHIP	0.01uF	10% 25V
C804	1-162-964-11	CERAMIC CHIP	0.001uF	10% 50V
C805	1-162-927-11	CERAMICCHIP	100PF	5% 50v
C807	1-162-965-11	CERAMICCHIP	0.0015uF	10% 50v
C809	1-115-169-11	TANTALUM	10uF	20% 6.3V
C810	1-117-720-11	CERAMIC CHIP	4.7uF	10V
C832	1-162-970-11	CERAMICCHIP	0.01uF	10% 25V
C837	1-164-156-11	CERAMIC CHIP	0.1uF	25V
C840	1-126-923-11	ELECT	220uF	20% 10V
C841	1-109-982-11	CERAMICCHIP	1uF	10% 10V
ca42	1-117-919-11	TANTAL.CHIP	10uF	20% 6.3V
C843	1-117-919-11	TANTAL.CHIP	10uF	20% 6.3V
C860	1-164-227-11	CERAMICCHIP	0.022uF	10% 25v
< CONNECTOR >				
CN805	1-573-931-11	CONNECTOR, FFC/FPC (ZIF)	22P	
< DIODE >				
D801	a-719-988-07	DIODE RB400D		
D803	8-719-989-53	LED CL-POOHR-C-TSL(REC)		
D810	8-719-988-62	DIODE 1SS355		
< IC >				
IC806	8-759-331-73	IC MB3800PNF		
IC808	8-729-039-08	IC SI6946DQ-T1		
< COIL >				
L802	I-424-675-11	INDUCTOR	33uH	

POWER | REC | SWITCH

Ref. No.	Part No.	Description	Remark
L804	1-414-410-21	INDUCTOR 10uH	
L805	1-414-410-21	INDUCTOR 10uH	
< TRANSISTOR >			
Q803	8-729-807-52	TRANSISTOR 2SD1623-T	
Q804	8-729-822-62	TRANSISTOR 2SB1302-T	
Q805	a-729-905-35	TRANSISTOR 2SC4081-R	
Q888	8-729-029-14	TRANSISTOR DTC144EUA-T106	
< RESISTOR >			
R801	1-216-789-11	METALCHIP 2.2 5%	1/16W
R808	1-216-817-11	METALCHIP 470 5%	1/16W
R809	1-216-827-11	METALCHIP 3.3K 5%	1/16W
R810	1-216-827-11	METALCHIP 3.3K 5%	1/16W
R811	1-216-821-11	METALCHIP 1K 5%	1/16W
R812	1-216-825-11	METALCHIP 2.2K 5%	1/16W
R814	1-218-883-11	RES,CHIP 33K 0.50%	1/16W
R815	1-218-863-11	RES,CHIP 4.7K 0.50%	1/16W
R867	1-216-829-11	METALCHIP 4.7K 5%	1/16W
R875	1-216-801-11	METALCHIP 22 5%	1/16W
R879	1-216-809-11	METALCHIP 100 5%	1/16W
R880	1-216-837-11	METALCHIP 22K 5%	1/16W
R888	1-216-823-11	METALCHIP 1.5K 5%	1/16W
< VARIABLE RESISTOR >			
RV801	1-223-994-21	RES, CARBON ADJ VAR 4.7K (DD 2.8V)	
< SWITCH >			
S818	1-762-621-21	SWITCH, PUSH (1 KEY)(BATTERY DET)	

A-3293-755-A REC BOARD, COMPLETE			

< CAPACITOR >			
C401	1-107-826-11	CERAMIC CHIP 0.1uF 10%	16V
C402	1-107-810-11	TANTAL.CHIP 33uF 20%	4v
C403	1-109-814-11	CAP. CHIP 220PF 5%	100V
< DIODE >			
D401	8-719-046-86	DIODE F1J6TP	
0402	8-719-046-86	DIODE F1J6TP	
< TRANSISTOR >			
Q401	8-729-024-44	TRANSISTOR 2SK2315TYTR	
Q402	g-729-024-44	TRANSISTOR 2SK2315TYTR	
Q403	8-729-024-44	TRANSISTOR 2SK2315TYTR	
Q404	8-729-024-44	TRANSISTOR 2SK2315TYTR	

A-3293-759-A SWITCH BOARD, COMPLETE			

< RESISTOR >			
R844	1-218-867-11	RES,CHIP 6.8K 0.50%	1/16W
R845	1-218-871-11	RES,CHIP 10K 0.50%	1/16W

Ref. No.	Part No.	Description	Remark
< SWITCH >			
S801	1-572-921-11	SWITCH, KEY BOARD (ERASE)	
5802	1-572-921-11	SWITCH, KEY BOARD (END SERCH)	
S803	1-572-921-11	SWITCH, KEY BOARD (T MARK)	
S805	1-762-078-11	SWITCH, SLIDE (HOLD →)	

MISCELLANEOUS			

3	1-801-522-21	LCD MODULE	
52	1-782-709-11	WIRE (FLAT TYPE) (22 CORE)	
65	1-475-378-11	SWITCH UNIT (WITH JOG DIAL)	
101	1-667-210-11	MD FLEXIBLE BOARD	
104	1-667-690-11	CLV FLEXIBLE BOARD	
136	1-667-211-11	MOTOR FLEXIBLE BOARD	
M901	1-763-011-11	MOTOR (SPINDLE)	
M902	A-3311-972-A	MOTOR BLOCK ASSY, SLED (SLED)	
M903	A-3320-037-A	STEPPER BLOCK ASSY (STTEPPING)	

ACCESSORIES & PACKING MATERIALS			

A	1-467-510-31	ADAPTOR, AG (AC-MZ60A) (US,Canadian)	
A	1-467-511-51	ADAPTOR, AG (AC-MZ60A) (AEP,FR)	
A	1-467-512-31	ADAPTOR, AG (AC-MZ60A) (UK,HK)	
A	1-467-513-21	ADAPTOR, AC (AC-MZ60) (AUS)	
A	1-467-514-11	ADAPTOR, AG (AC-MZ60) (E,JEW)	
A	1-475-375-21	REMOTE CONTROL UNIT (RM-MZR50)	
A	1-569-007-11	ADAPTOR, CONVERSION 2P (E,JEW)	
	1-759-277-21	CASE, BATTERY (EBP-MZR4)	
	1-779-504-11	CONNECTOR, OPTICAL	
		(AEP,FR,UK,Canadian,HK)	
	3-861-298-11	MANUAL, INSTRUCTION (ENGLISH,SPANISH, PORTUGUESE,SWEDISH,FINNISH)	
		(AEP,E,JEW)	
	3-861-298-21	MANUAL, INSTRUCTION (ENGLISH)	
		(US,UK,HK,AUS)	
	3-861-298-31	MANUAL, INSTRUCTION (ENGLISH,FRENCH, GERMAN,DUTCH,ITALIAN) (Canadian,AEP,FR)	
	3-861-298-41	MANUAL, INSTRUCTION	
		(JAPANESE,CHINESE,KOREAN) (E,HK,JEW)	
	4-972-888-01	CASE, CARRYING	
	4-988-159-01	CASE, ACCESSORY (JEW)	
	8-953-218-90	HEADPHONE MDR-E838SP//K SET	
		(EXCEPTUS)	
	8-953-278-90	HEADPHONE MDR-A34SP SET (US)	
	X-3329-657-1	ATTAGHMENTASSY	

The components identified by mark Δ or dotted line with mark Δ are critical for safety. Replace only with part number specified.	Les composants identifiés par une marque Δ sont critiques pour la sécurité. Ne les remplacer que par une pièce portant le numéro spécifié.
--	---

