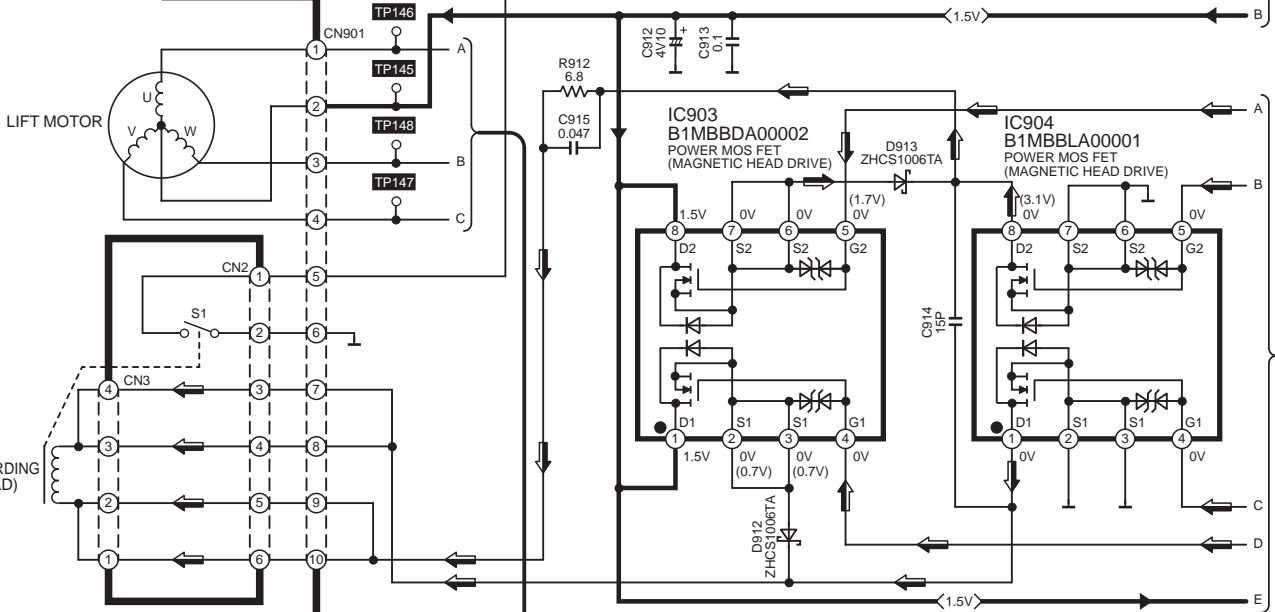
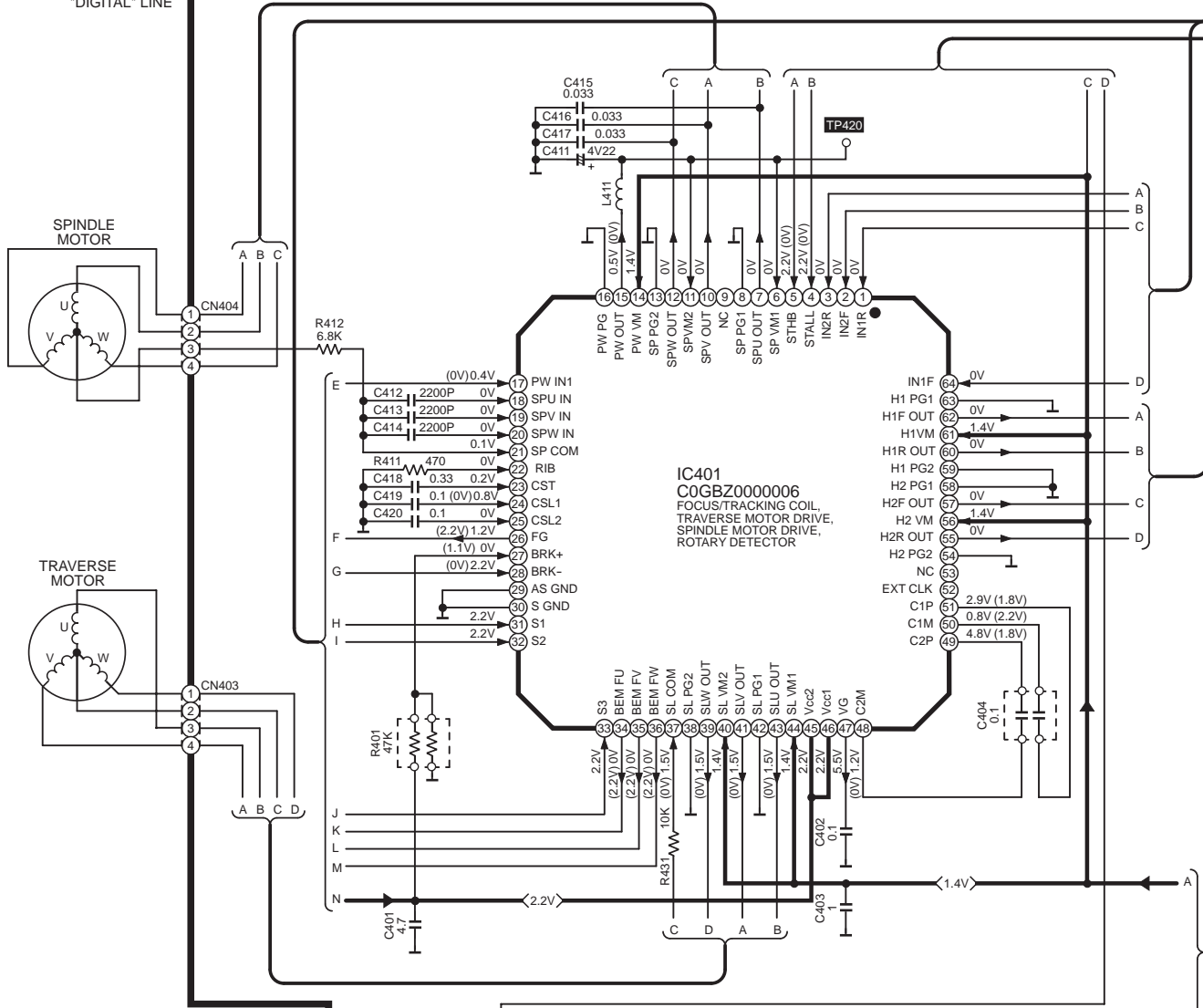


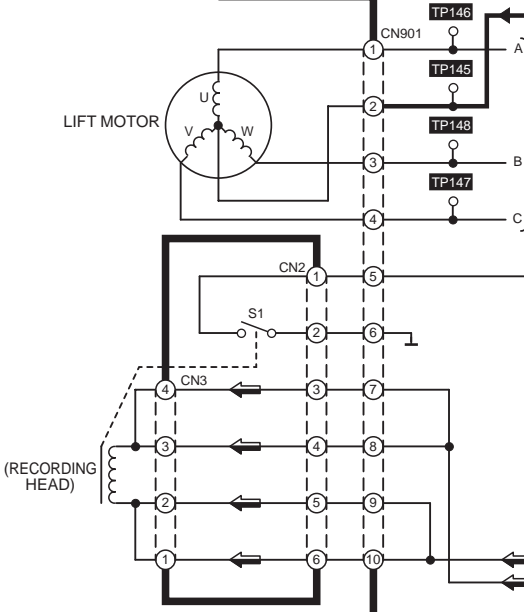
NOTE:  
The number which noted at the connectors on the schematic diagram as "SCHEMATIC DIAGRAM-1" or "SCHEMATIC DIAGRAM-2" indicates the schematic diagram serial number located on the left corner in the schematic diagram.

→ : POSITIVE VOLTAGE LINE  
 ⇨ : RECORDING SIGNAL "DIGITAL" LINE

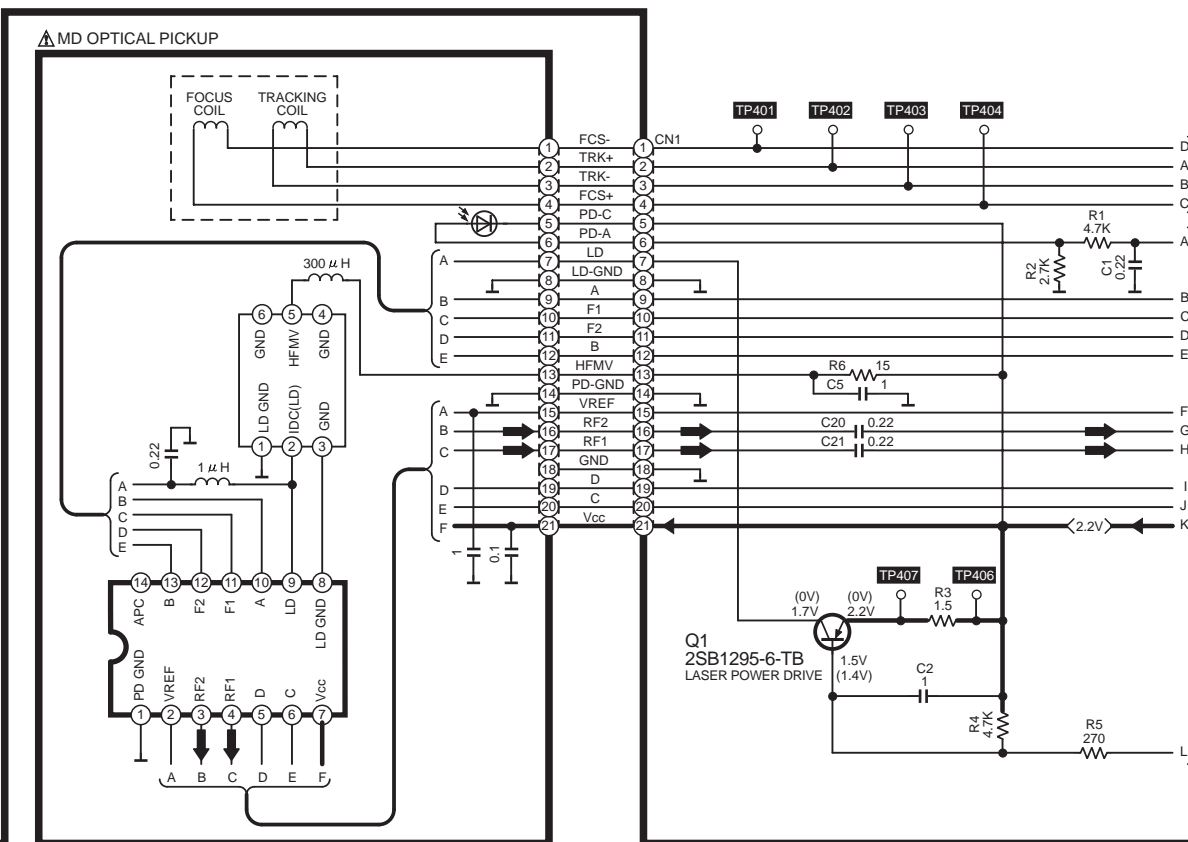
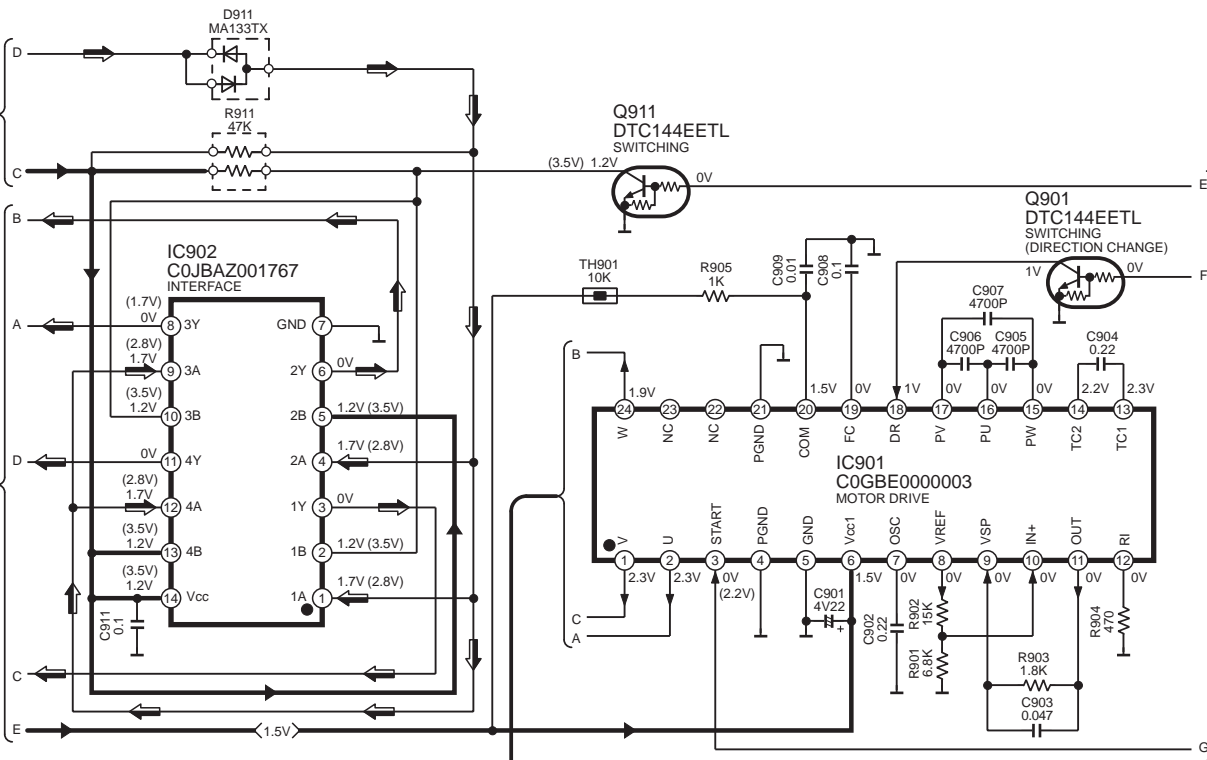
**A MAIN CIRCUIT**



**B RECORDING HEAD CIRCUIT**

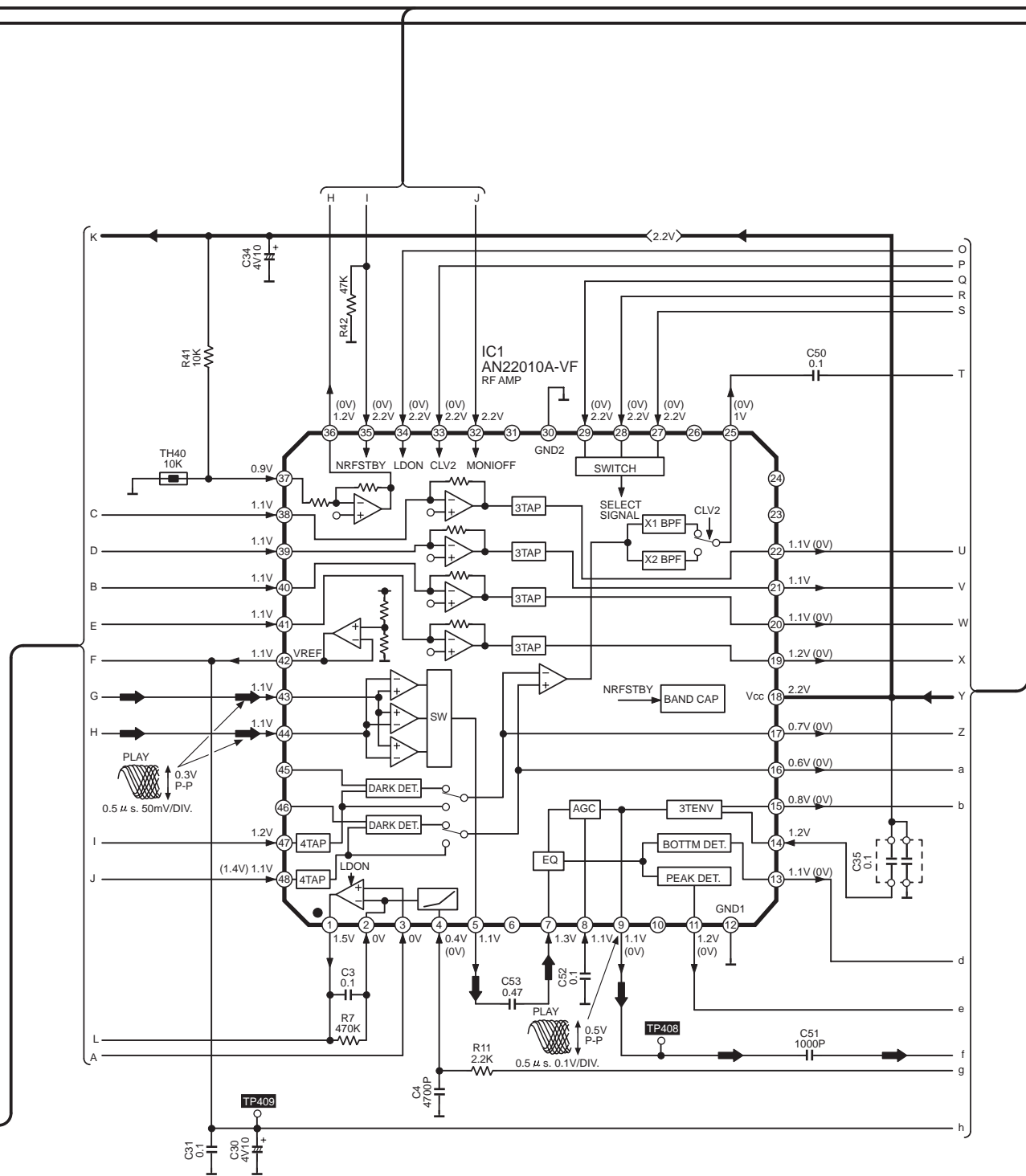


→ : POSITIVE VOLTAGE LINE    ⇨ : RECORDING SIGNAL "DIGITAL" LINE    ⇦ : PLAYBACK SIGNAL LINE

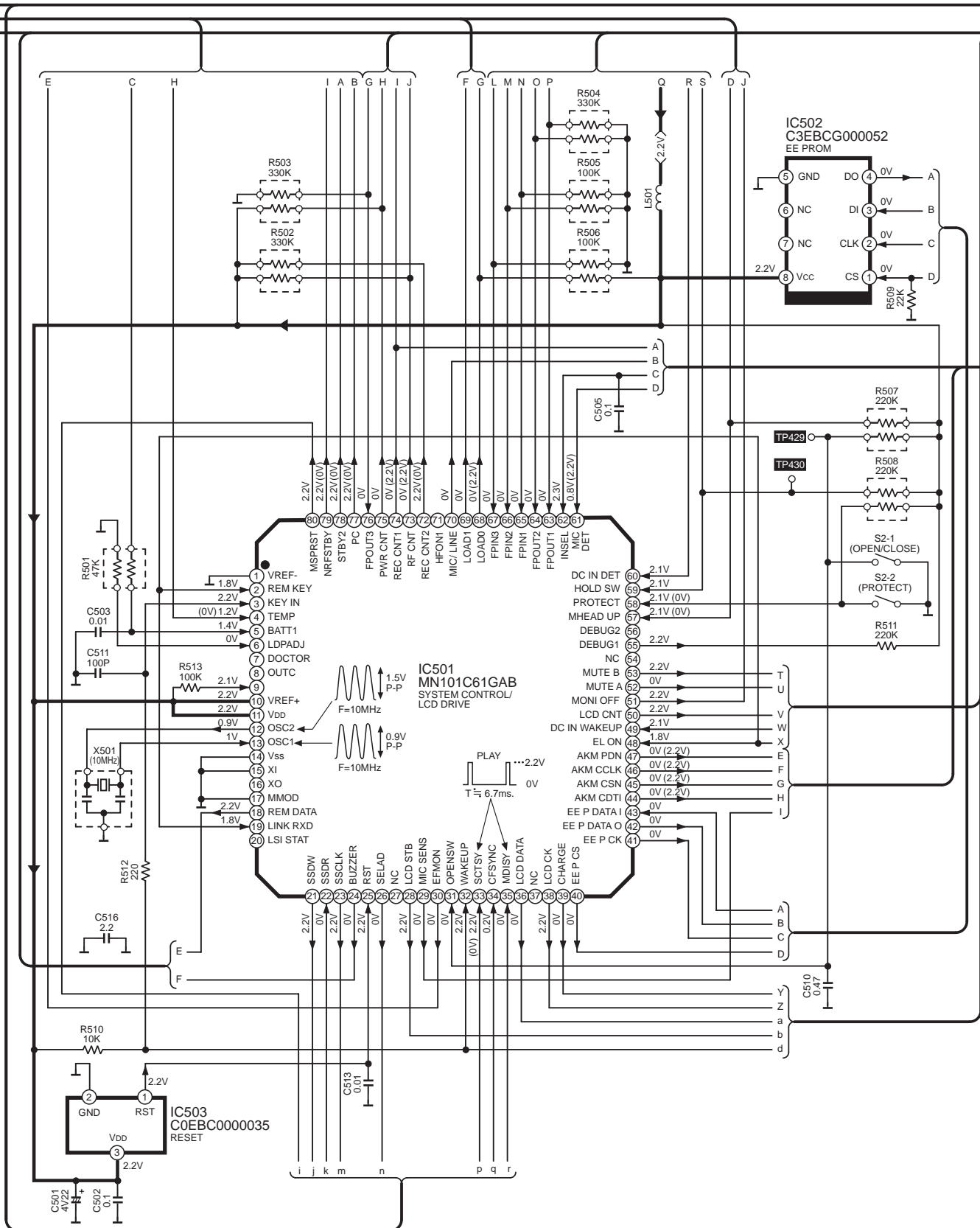


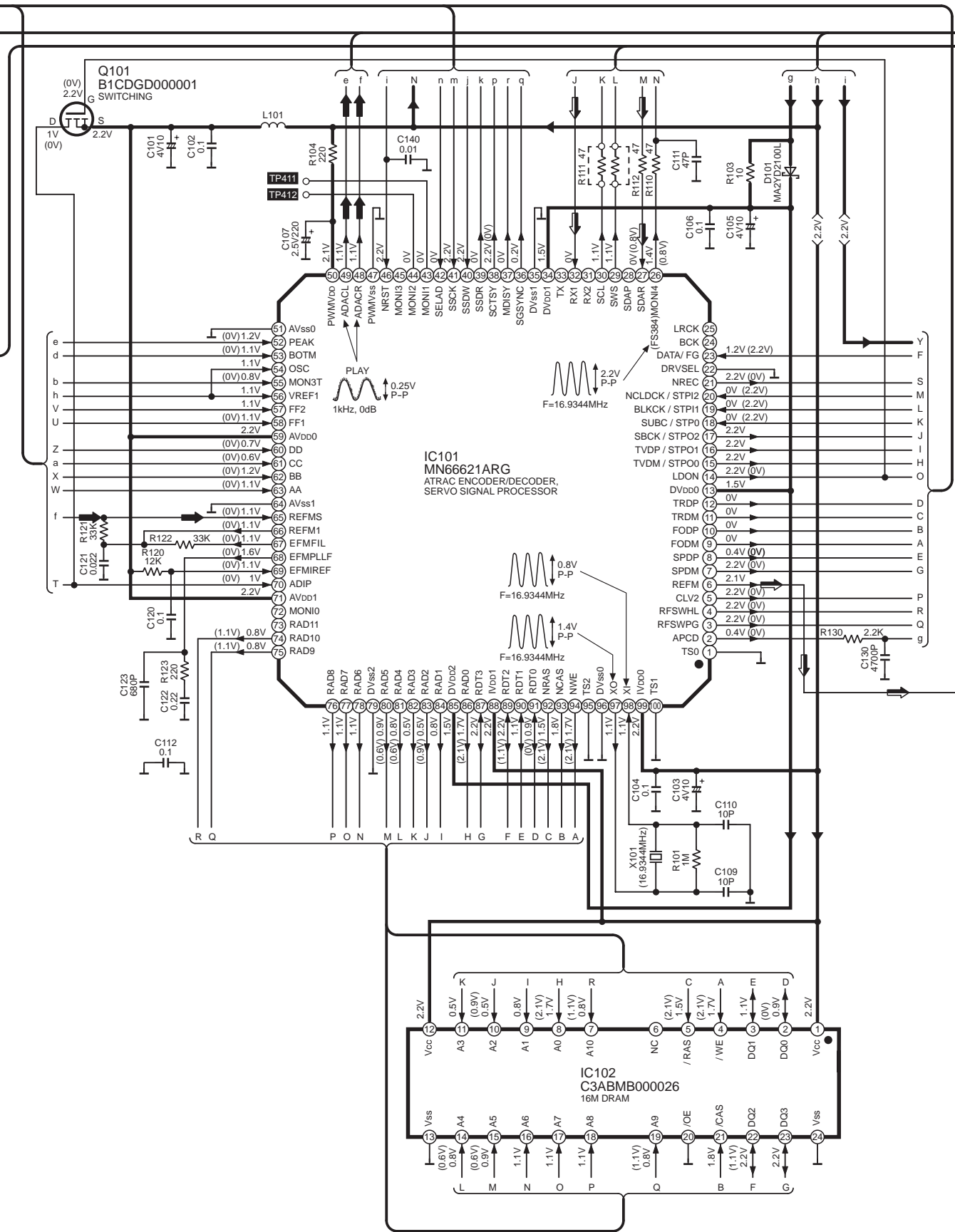
# A MAIN CIRCUIT

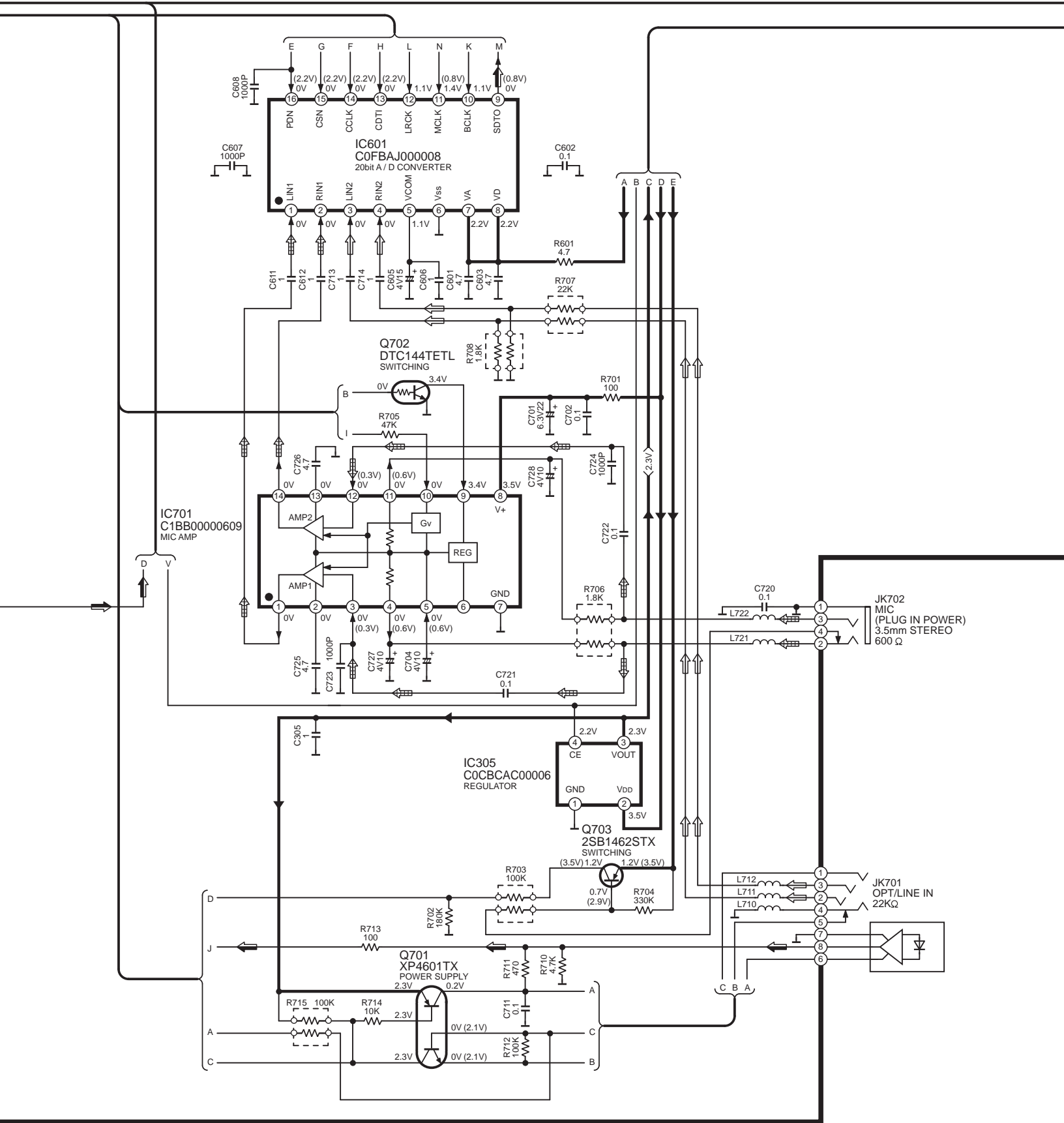
→: POSITIVE VOLTAGE LINE    →: PLAYBACK SIGNAL LINE

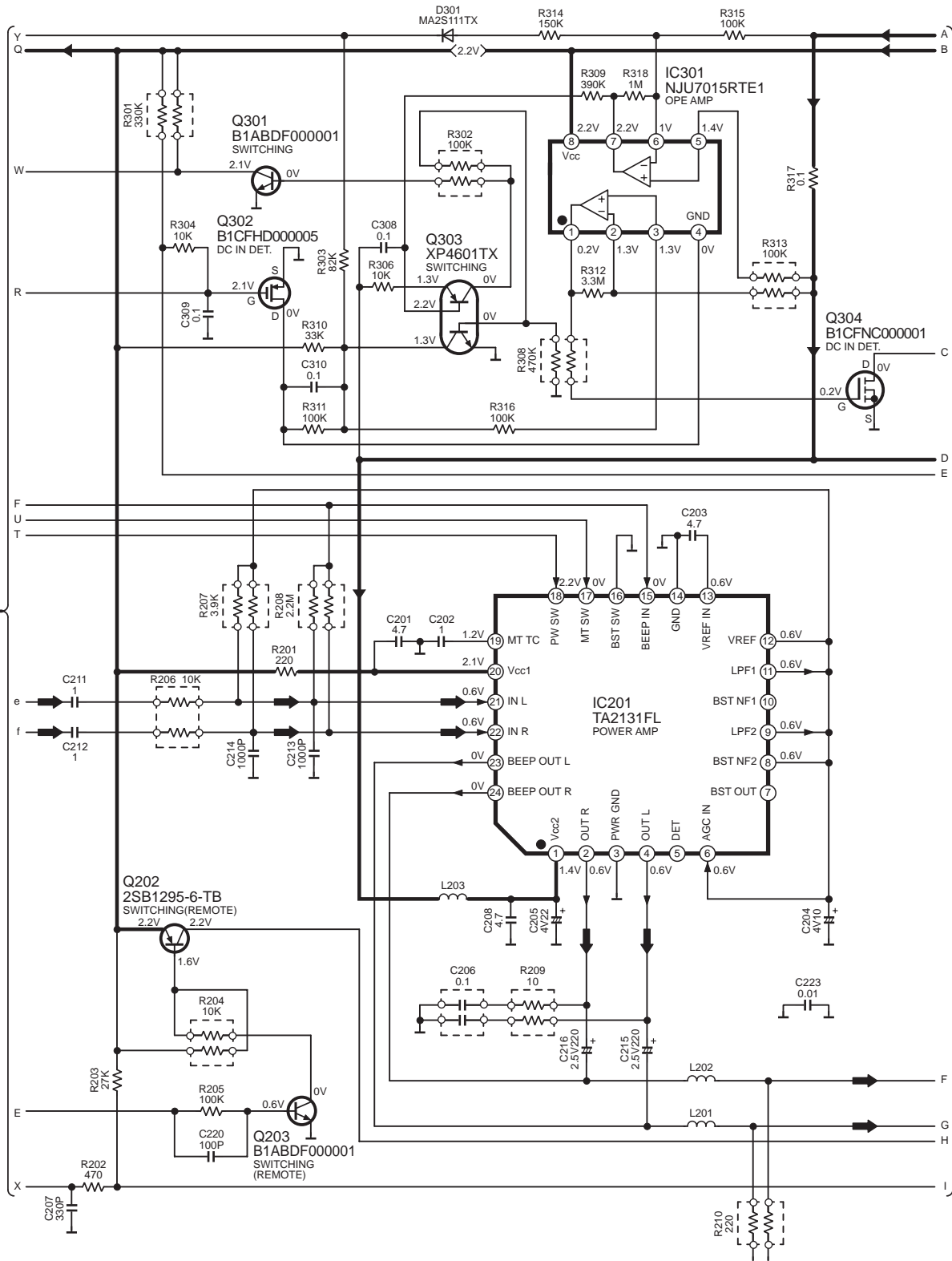


→ : POSITIVE VOLTAGE LINE









**C OPERATION CIRCUIT** → : POSITIVE VOLTAGE LINE → : PLAYBACK SIGNAL LINE

